

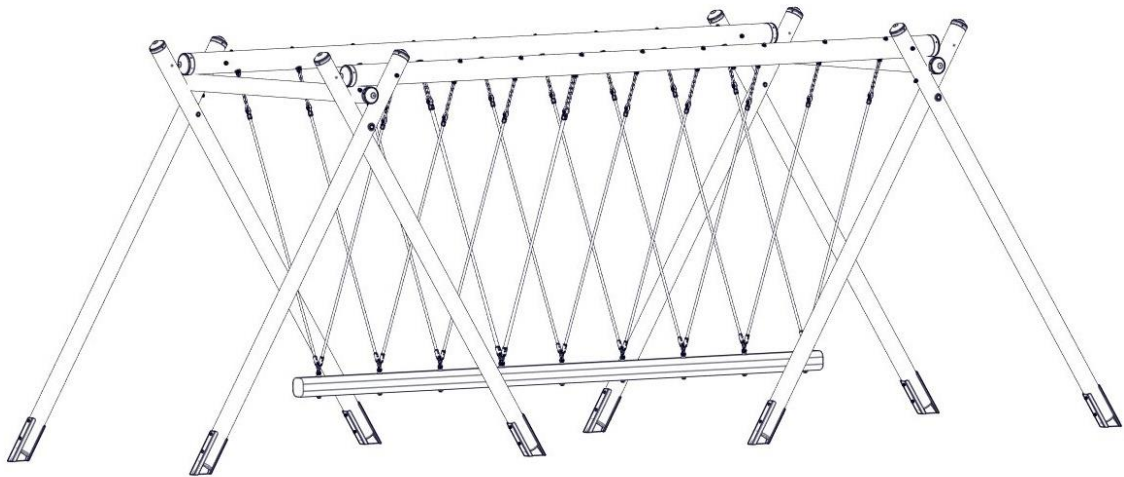


A Assembly instruction

“Rabenscheid” super rope-end swinger

Art.-No. 4585-60

Attention! Only use the assembly instruction in the scope delivery for the assembly and maintenance of respective equipment!



Operator: _____

Location: _____



Huck Seiltechnik GmbH • 35614 Aßlar/Berghausen • Germany
seiltechnik@huck.net • www.huck.net

Revision 0 – 2006-02-13

Erste freigegebene Version

Montageanleitung AG

Revision 8– 2022-04-26

neue Form der Montageanleitung FH

Alle Rechte vorbehalten

All rights reserved

© Copyright 2004 Huck Seiltechnik GmbH



Contents

A	Assembly instruction “Rabenscheid” super rope-end swinger (Version: douglas fir posts with post footings, set in concrete).....	1
1	Introduction Assembling	4
2	Datasheet Super rope-end swinger “Rabenscheid” article 4585-60 (Version: douglas fir posts with post footings)	6
3	Delivery contents (parts list with part numbers).....	8
4	Erection instructions.....	Fehler! Textmarke nicht definiert.
5	Post installation checks.....	24
B	Maintenance instructions Super rope-end swinger “Rabenscheid” (Version: douglas fir posts with post footings, set in concrete).....	25
6	Introduction Maintenance	27
7	General maintenance information	28
8	Maintenance timetable	30
9	Regular maintenance	31
10	Monthly maintenance	32
11	Quarterly maintenance.....	32
12	Half-yearly maintenance	32
13	Annual maintenance.....	33
14	Maintenance printout	35
15	Hand over document	37

List of Tables

Table 3-1: Delivery contents, in words	8
Table 3-2: Delivery contents, in symbols	9



1 Introduction Assembling

1.1 General information

This equipment should be installed, inspected, maintained and operated in accordance with EN1176-7 guidelines.

Before installation work commences, please check that you have all of the equipment and fixation components in the parts list provided (see Tables 3-1 and 3-2).

Please consider that the installation has to be carried out only on even terrain (max.slope up to 3%).

Any spare parts that may be required can be obtained directly from your supplier.

Please do not hesitate to call your supplier if you have any problems during installation or with any other questions.



Attention

Following installation, complete assembly instructions, maintenance instructions and a maintenance record must be sent to the operator who must confirm receipt in writing. See the last page of this document.



Attention

All nuts and bolts are hot-dip galvanised or stainless steel. One of the characteristics of stainless steel is that uncontrolled cold welding may occur when the nuts are tightened. To prevent this, it is necessary to spray the nuts and bolts with Teflon spray or another similar lubricant.

We hereby confirm that this play equipment has been tested and certified in accordance with the play equipment standard EN 1176.



Drawings / Views

All optical drawings are showing only the measurements/dimensions and are no mandatory technical views of the complete item.

We reserve the right to change technical details of our articles which are serving for the further development of our articles and are reasonable for the customer.

Measurement tolerances

Because of the properties and characteristics of the components, minor measurement tolerances compared to the indication on the sketches are possible.

This concerns all shown measurements except the foundation measurements resp. measurements below upper edge ground level/play area.



2 Datasheet Super rope-end swinger “Rabenscheid” article 4585-60 (Version: douglas fir posts with post footings)

1. Space requirement: 10.70 m x 4.05 m and/or 13,55 m x 3,674 m including safety zone, height of fall 1.50 m
2. Required safety surface:

Surface material	Description mm	Minimum thickness of layer mm	Maximum height of fall mm
Topsoil grass			<= 1000*
Chipped bark	20 – 80 grain size	300/400	<= 2000/3000
Wood chippings	5 – 30 grain size	300/400	<= 2000/3000
Sand	0.2 – 2 grain size	300/400	<= 2000/3000
Gravel	2 – 8 grain size	300/400	<= 2000/3000
Other ground materials	As recommended by manufacturer		

3. Name and overall dimension of the largest component:
Douglas fir post (2 items) length 6.00 m, ø 180 mm
4. Name and weight of the heaviest component:
1 pallett douglas fir posts (12 peaces) approx. 590 kg
5. Intended age group: 4 years and over

Please note that this equipment is set in concrete.

Concrete: C25/30

Required concrete: 6.50 m³

Foundations/area to be excavated:

4 x 1.20 m long x 1.20 m wide x 0.50 m high, total depth 0.90 m including 10 cm drainage

2 x 2.80 m long x 1.20 m wide x 0.50 high, total depth 0.90 m including 10 cm drainage

Top edge of concrete 30 cm below ground level



Attention!

Round off foundation edges (min.R = 100 mm)! Sizes of foundations are designed for soils class“4-5” (natural ground).

Soil class 4: soft to medium plasticity, interleave bound, with minor portion of stone (portion < 30% with bigger diameter of 63 mm grain size)

Soil class 5 : ground with soil class 3 and 4 with big portion of stones (portion > 30% with bigger diameter of 63 mm grain size)

In case of sandy and soft soils, the surface measure of foundations have to be enlarged for about 50%!



-
6. Assembly time, once foundations complete: 3 - 4 hours.
Required assistance: 3 - 4 people.
 7. Any spare parts which may be required can be obtained directly from your supplier
 8. **We hereby confirm that this item of play equipment has been tested and certified in accordance with the play equipment standard EN 1176.**



3 Delivery contents (parts list with part numbers)

3.1 In words

Table 3-1: Delivery contents, in words

Pos.	Quantity	Element / Description	Size	O.K.	Missing
1	4	Trestle posts with premounted post footings	Ø 140 mm, 4.95 m total length		
2	2	Douglas fir posts	Ø 140 mm, L. 3.00 m		
3	2	Douglas fir posts	Ø 180 mm, L. 6.00 m		
4	9	Mounting ropes			
5	1	Rope-end pole	approx. 5.50 m long		
100	8	Threaded rod with cap nut (premounted)	M16 x 320 long galv. M16 galv.		
101	24	DIN 9021 washers	Ø 17 DIN 125 galv.		
102	12	DIN 985 stop nuts	M16 VA		
103	12	Black caps	for M16		
104	4	Threaded rod with cap nut (premounted)	M16 x 360 long galv. M16 galv.		
105	18	Articulated swing hook	Art. 4608-3		
106	4	Cap, red	for Ø 180 mm		
107	8	Cap, red	for Ø 140 mm		
108	4	Cap, red	for Ø 140 mm		
109	48	Pan head screw	5 x 30 VA		
110	2	Loctite (bolt lock)	2 x 3 ml		
111	18	Abrasion protection	white		











3.2 In symbols


Table 3-2: Delivery contents, in symbols

Pos.	Quantity	Symbol
1	4	<p>Ø 140 mm, 4.95 m total length</p>
2	2	<p>Ø 140 mm, L. 3.00 m</p>
3	2	<p>Ø 180 mm, L. 6.00 m</p>
4	9	
5	1	<p>approx. 5.50 m long</p>
100	8	<p>M16 x 300 long galv. M16 galv.</p>
101	24	<p>Ø 17 DIN 125 galv.</p>
102	12	<p>M16 VA</p>
103	12	<p>for M16</p>



Pos.	Quantity	Symbol
104	4	M16 x 340 long galv. M16 galv. 
105	18	
106	4	for Ø 180 mm 
107	8	for Ø 140 mm 
108	4	for Ø 140 mm 
109	48	5 x 30 VA 
110	2	Loctite (bolt lock) 2 x 3ml 
111	18	Abrasion protection white 

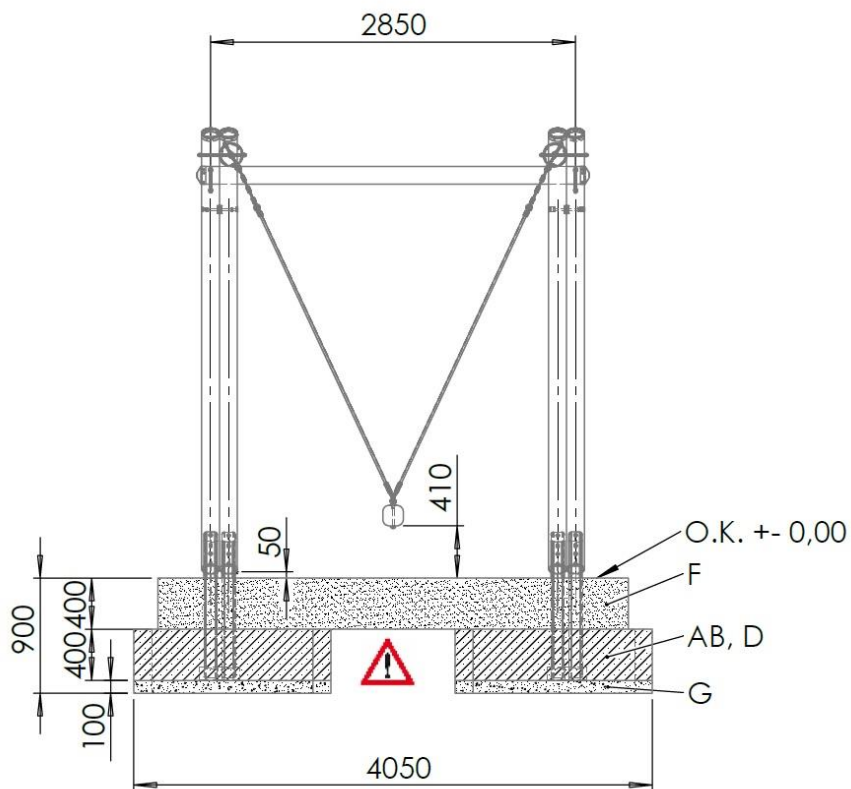
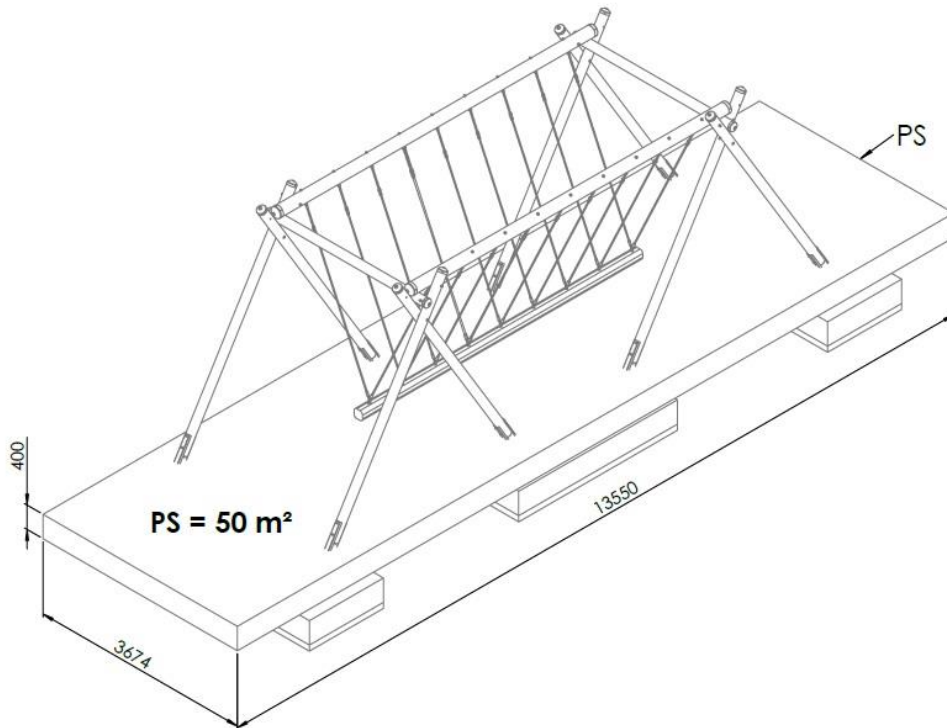


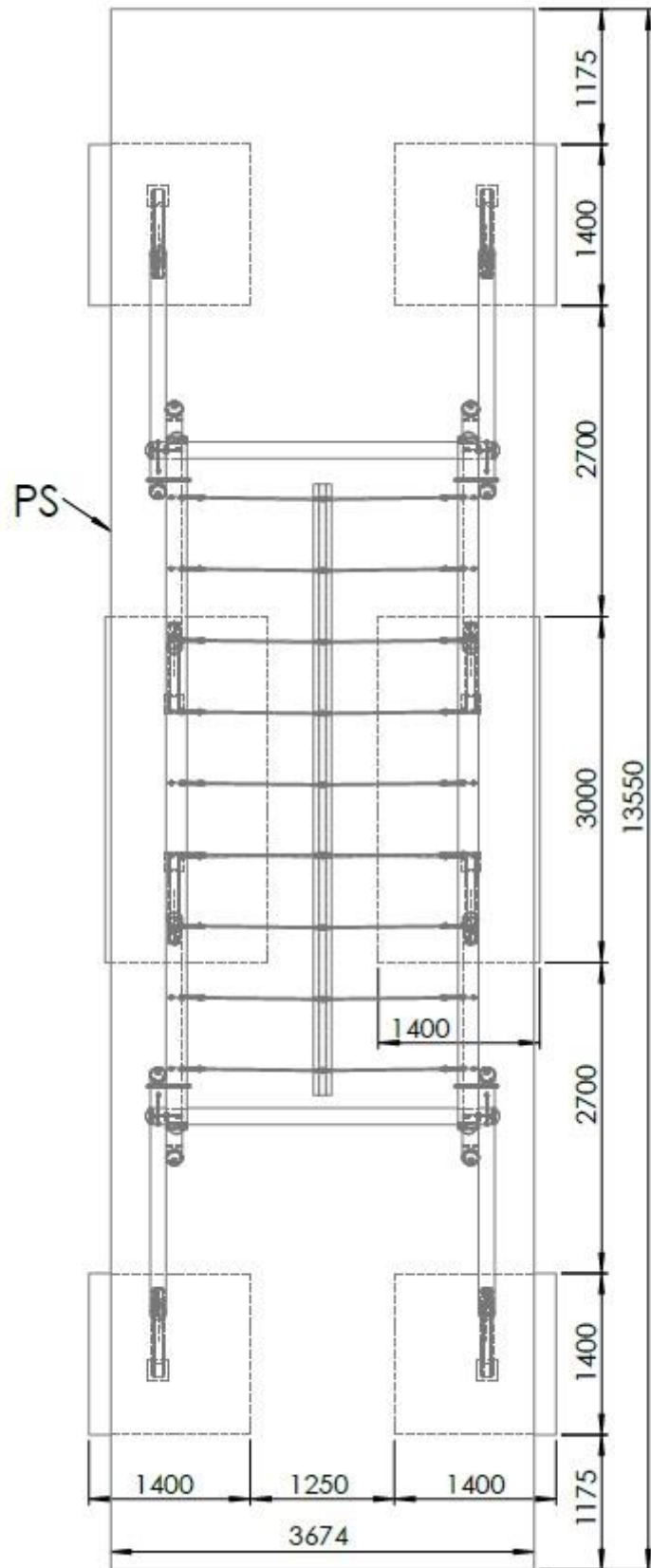
	“Rabenscheid” super rope-end swinger
AB	Setting time min. 7–8 days
D	C25/30 concrete (for foundations) Q.ty required: ~ 6,5 m ³
ELb	Take care with mounting position!
F	Fall protection
G	Drainage layer
H	Ø ... (drill diameter)
O.K	Top surface of playing area
PS	Minimum safety area ~ 57 m ²
SCHB.f.	Fix trestle posts to dimension before installing
zBL	Drill holes with 17mm diameter are required for the wooden main beams.
	<p>Round off foundation edges (min.R = 100 mm)! Sizes of foundations are designed for soils class“4-5” (natural ground). Soil class 4: soft to medium plasticity, interleave bound, with minor portion of stone (portion < 30% with bigger diameter of 63 mm grain size) Soil class 5 : ground with soil class 3 and 4 with big portion of stones (portion > 30% with bigger diameter of 63 mm grain size) In case of sandy and soft soils, the surface measure of foundations have to be enlarged for about 50%!</p>

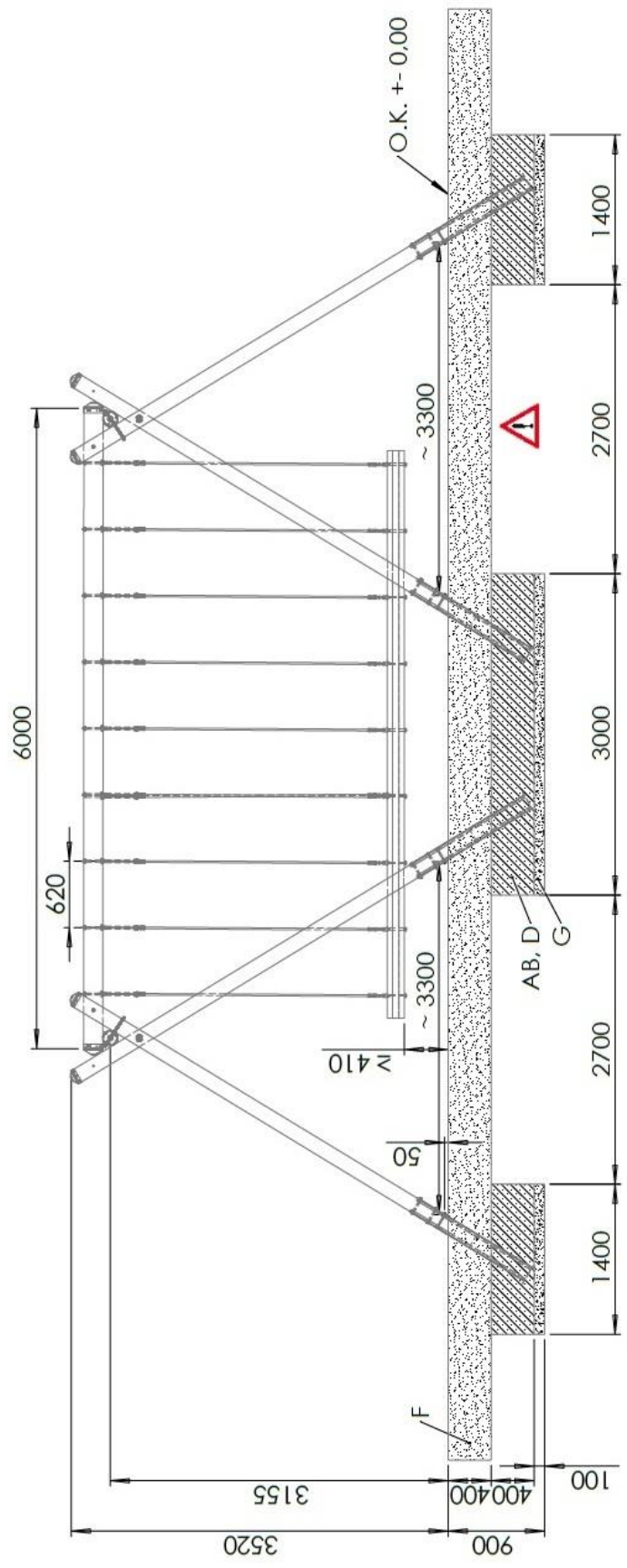
see drawings for details!



4 Erection instructions

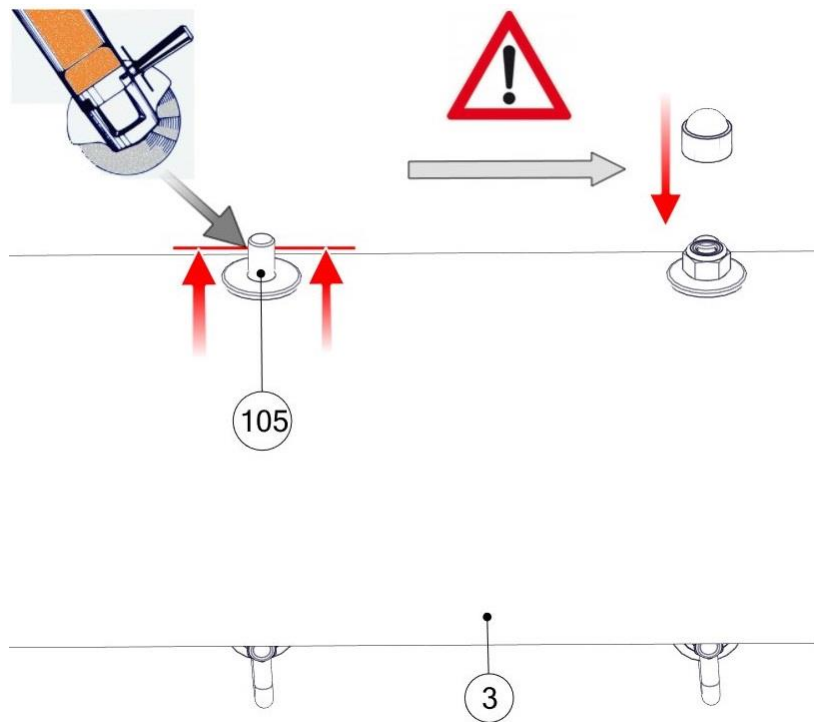




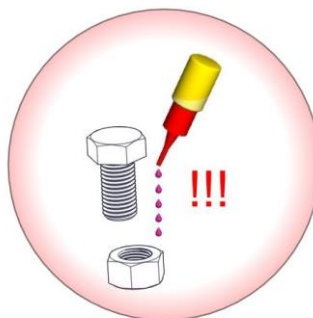




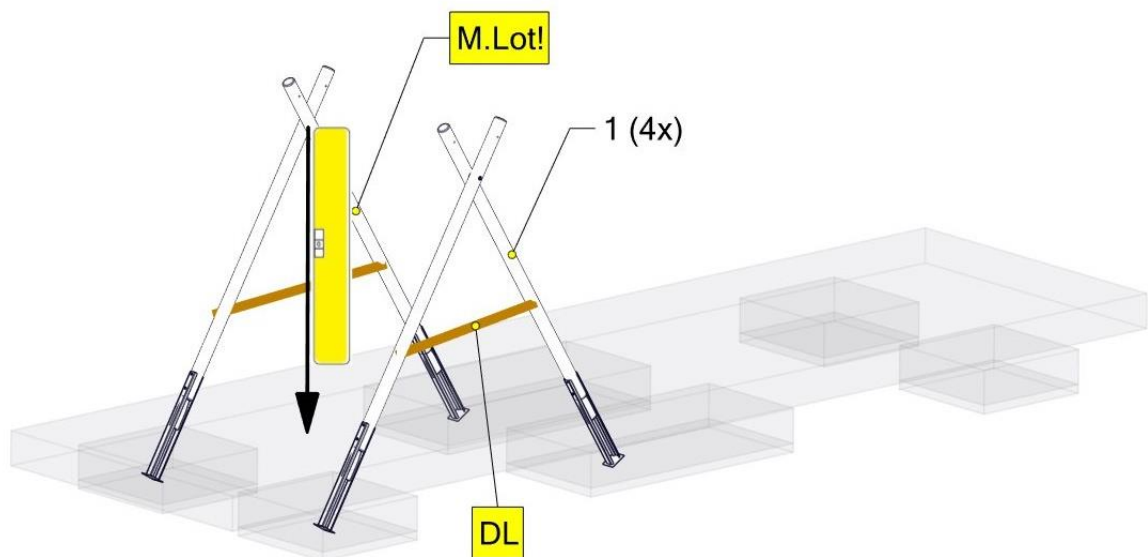
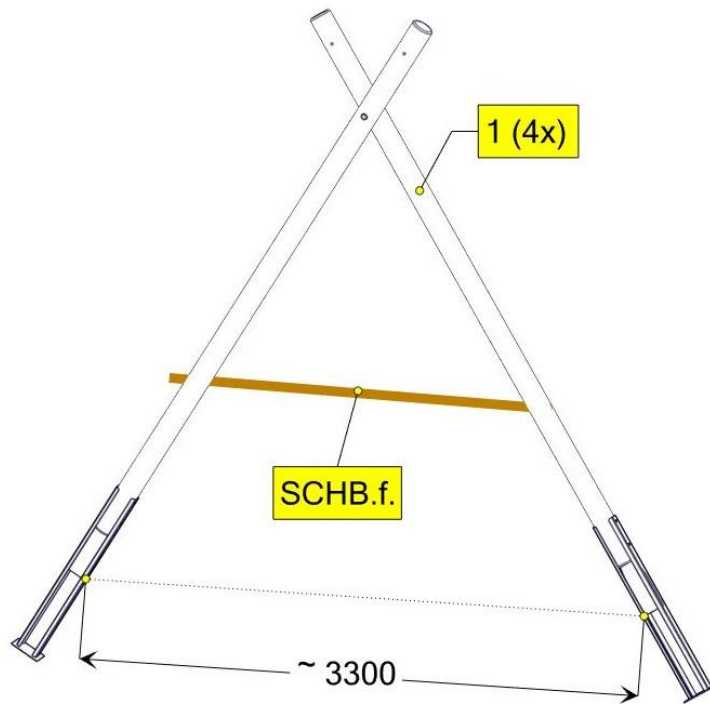
Due to the natural property of wood, heat and moisture can lead to different cross-sections. Z.B. Posts \varnothing 180 mm (tolerance 173 – 183 mm). This means that possible extra lengths of the eye screws or bearings have to be shortened.

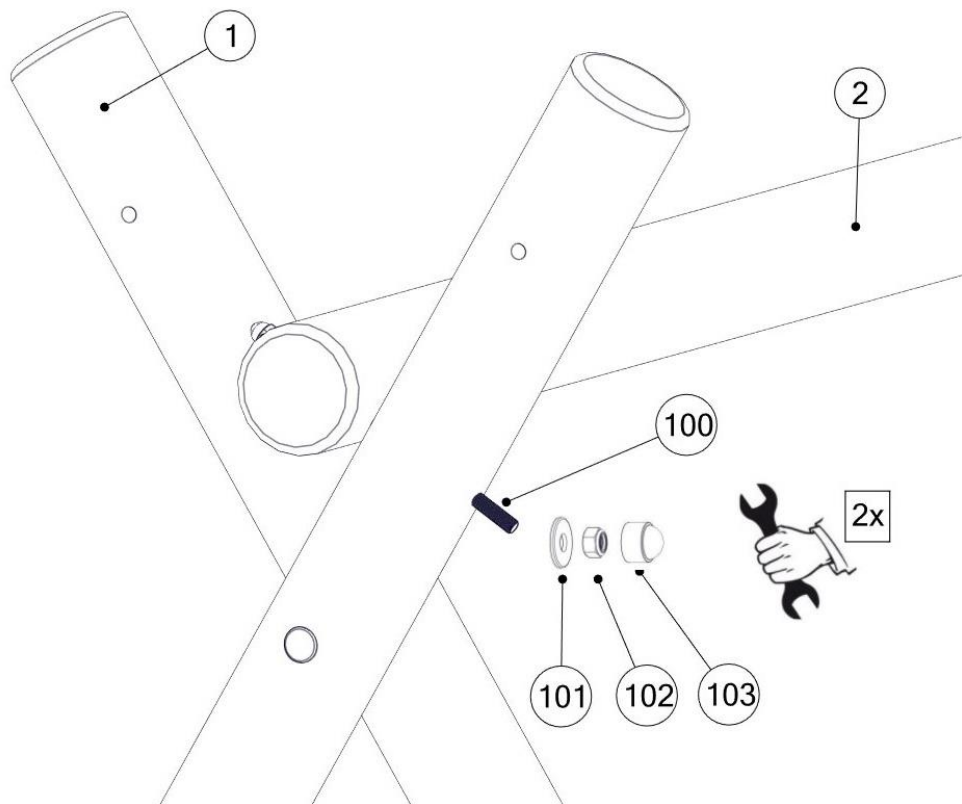
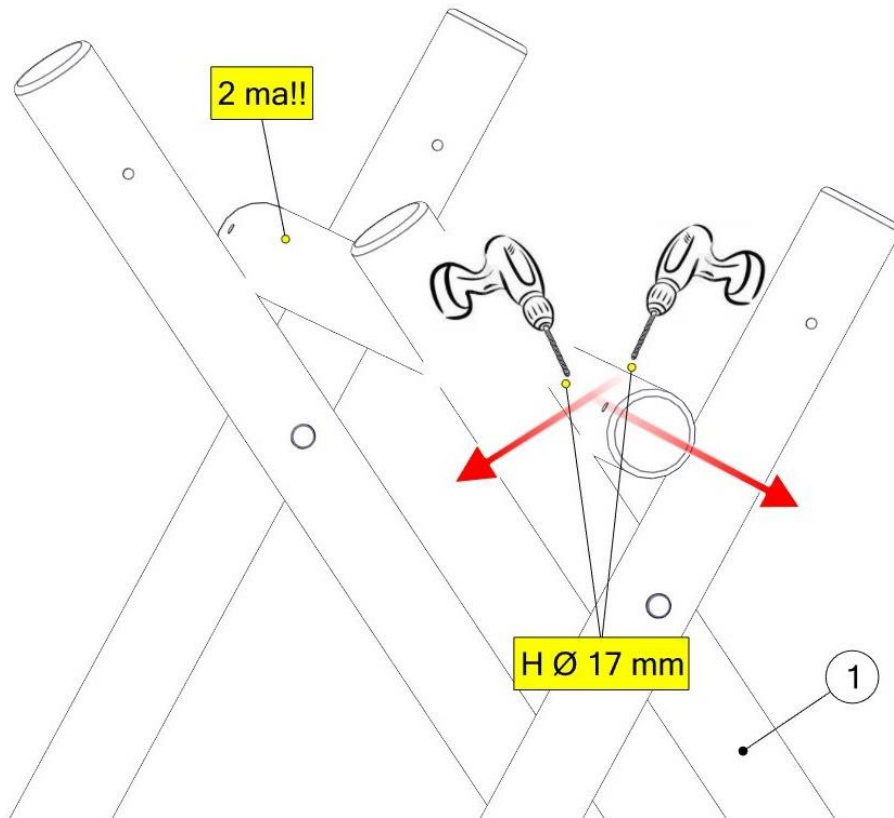


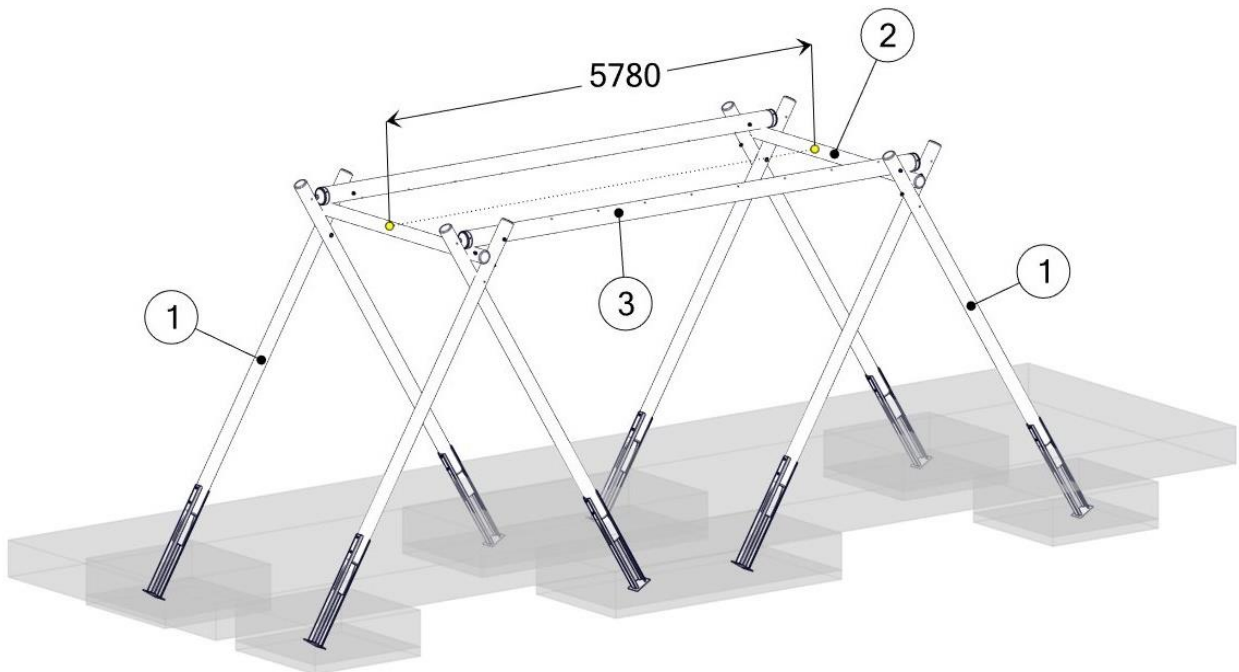
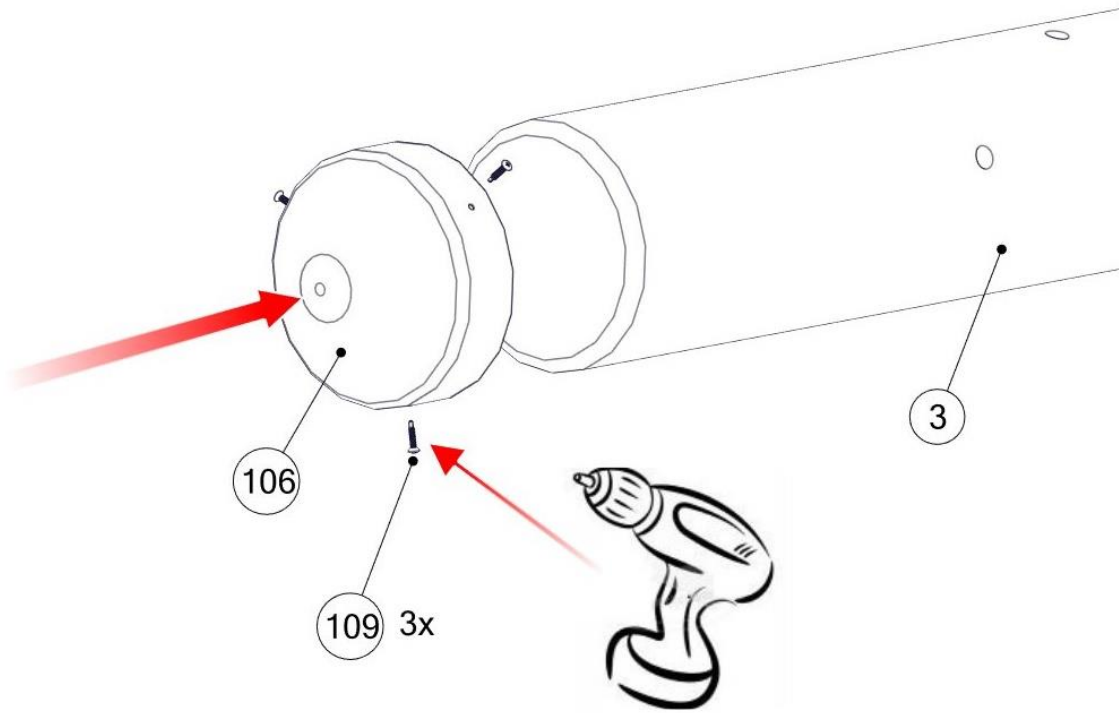
Screw lock!

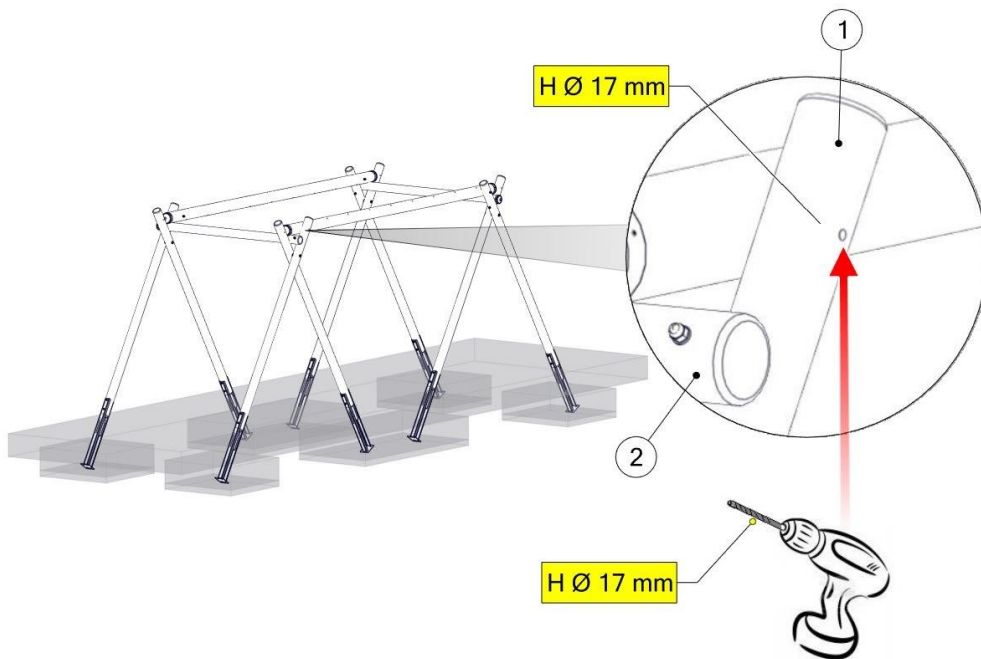
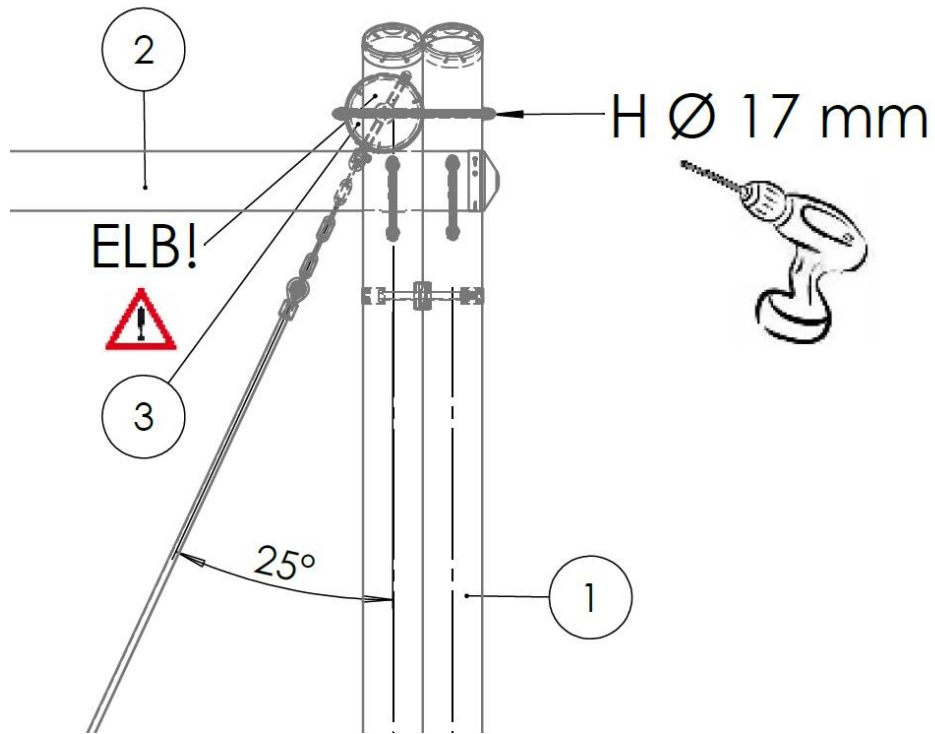


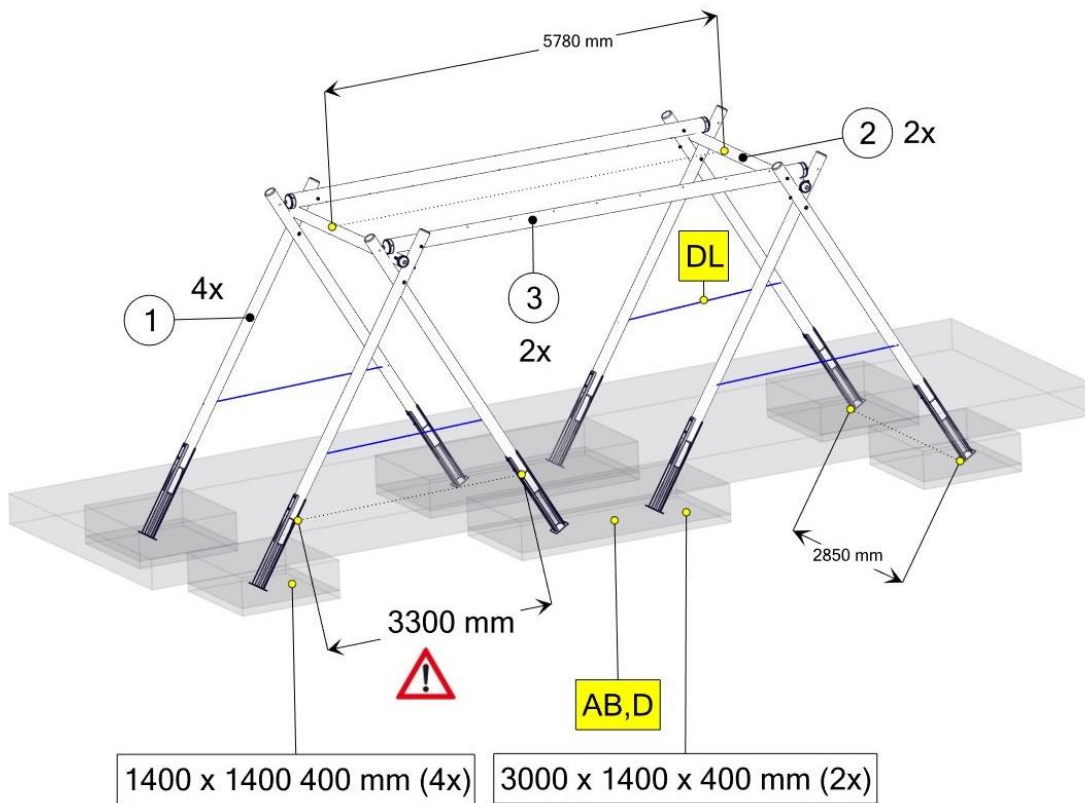
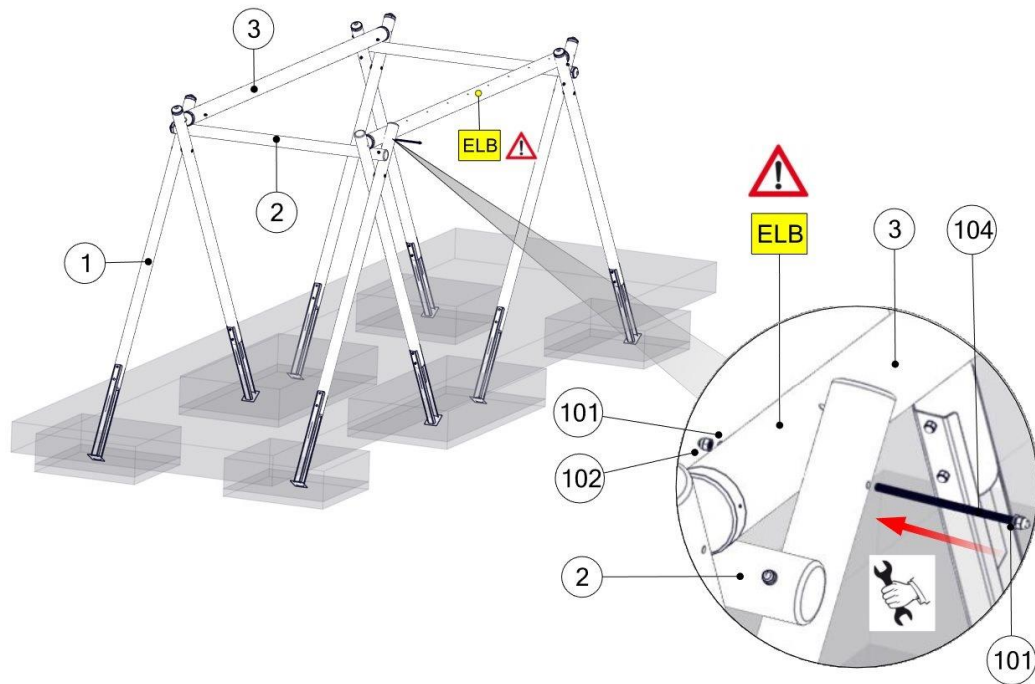
**All screws, nuts and sleeves
(except stop nuts)
must contain at least 5 drops of Loctite
can be secured.**

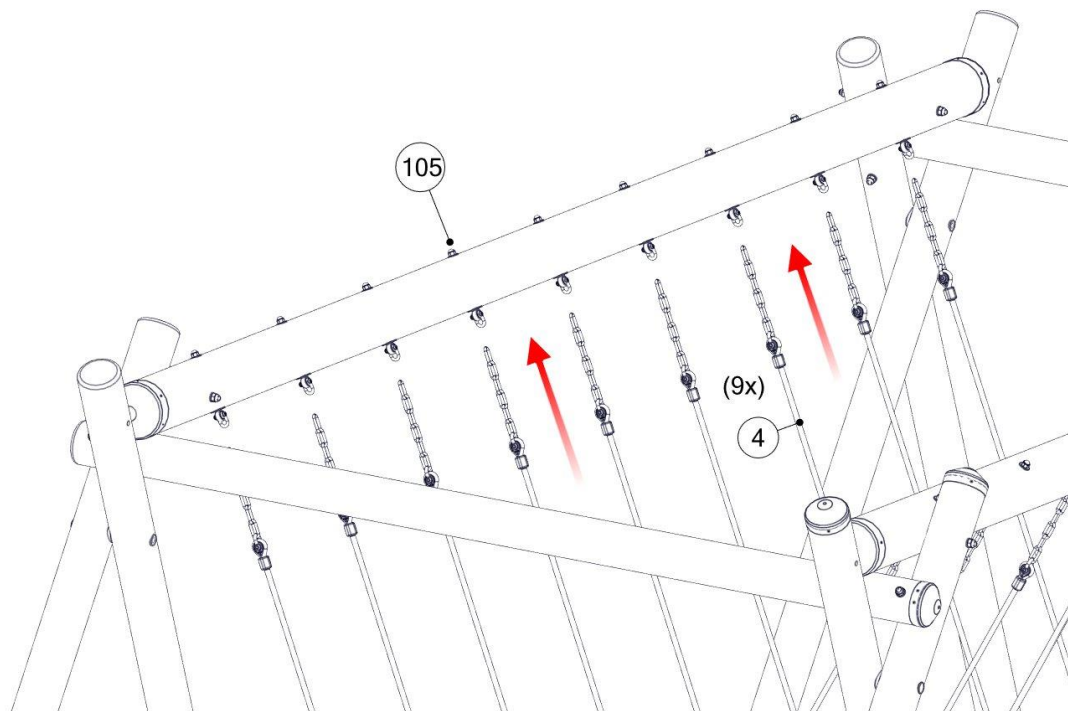
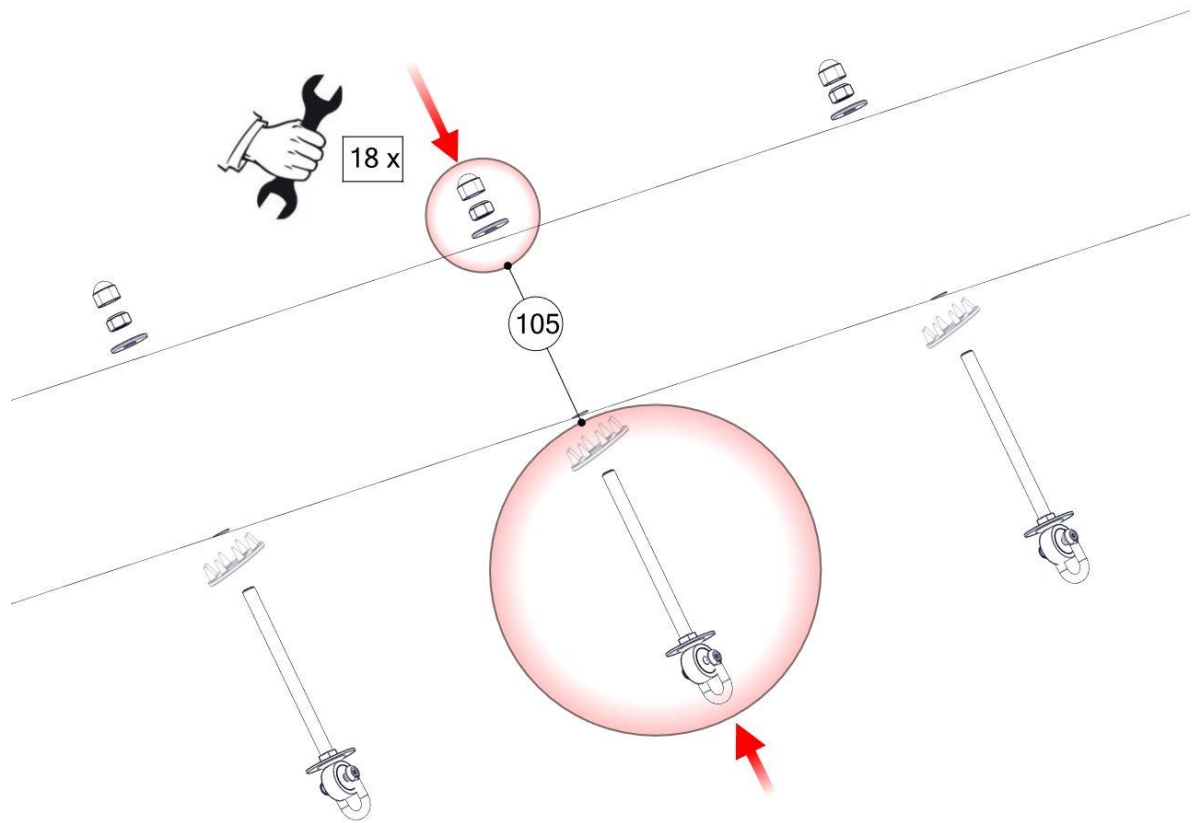


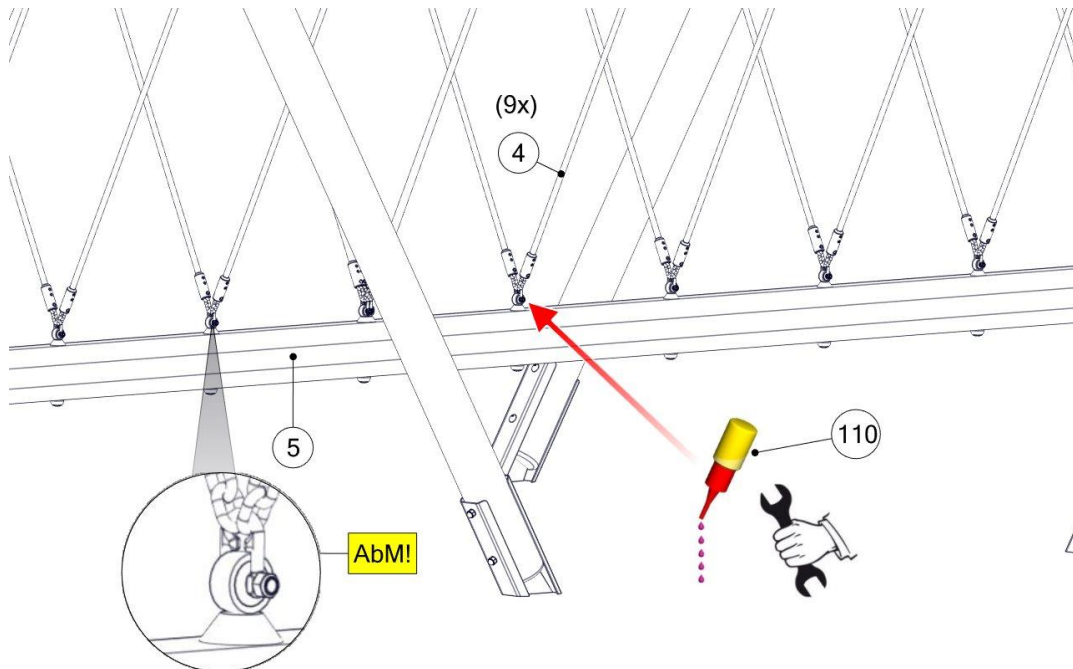
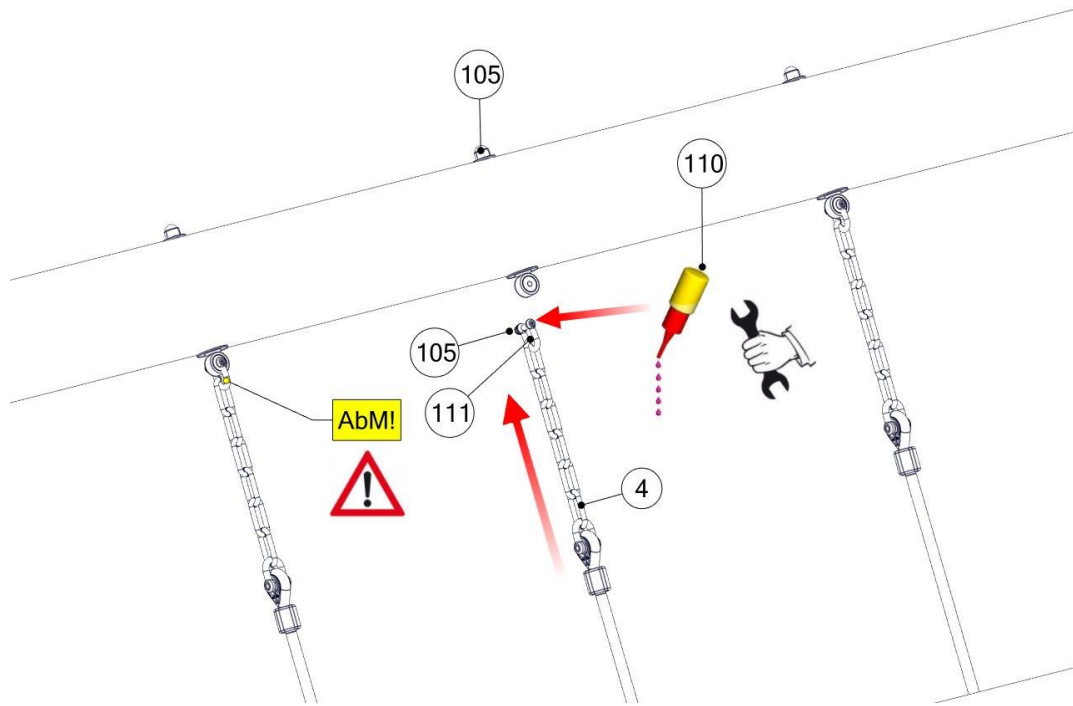


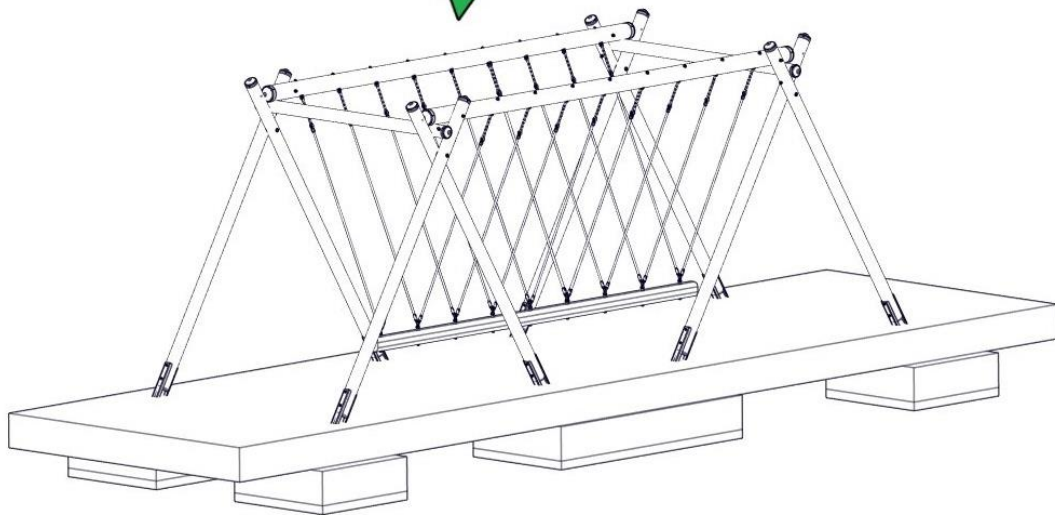
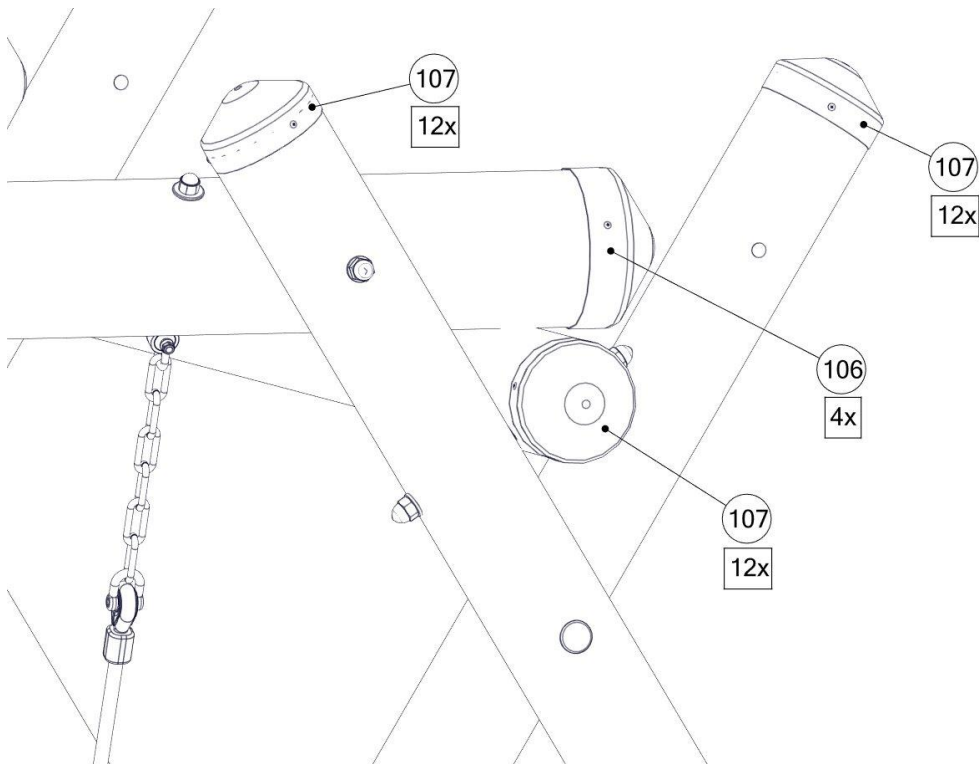














5 Post installation checks



Notice

If the equipment has not been installed safely, you must ensure that the public is prevented from using it.

5.1 Marking filler depth

Labelling the posts to show the depth of material provided as fall protection (i.e. loose filler).

5.2 The equipment has not been installed safely in the following cases:

Safe equipment installation is not complete.

The protective surface has not been installed yet.

Appropriate maintenance work cannot guarantee operational safety.

5.3 Removal of all assembly aids

Please make sure that all assembly aids have been removed from the playing area. The equipment must not be approved for use until this check has been made.

5.4 Information about inspection of the equipment before it is used for the first time

There are no special inspection requirements to be met before the equipment is used for the first time.

5.5 Retighten bolts

After one week of play, please retighten all bolts again. Later upon respective maintenance.

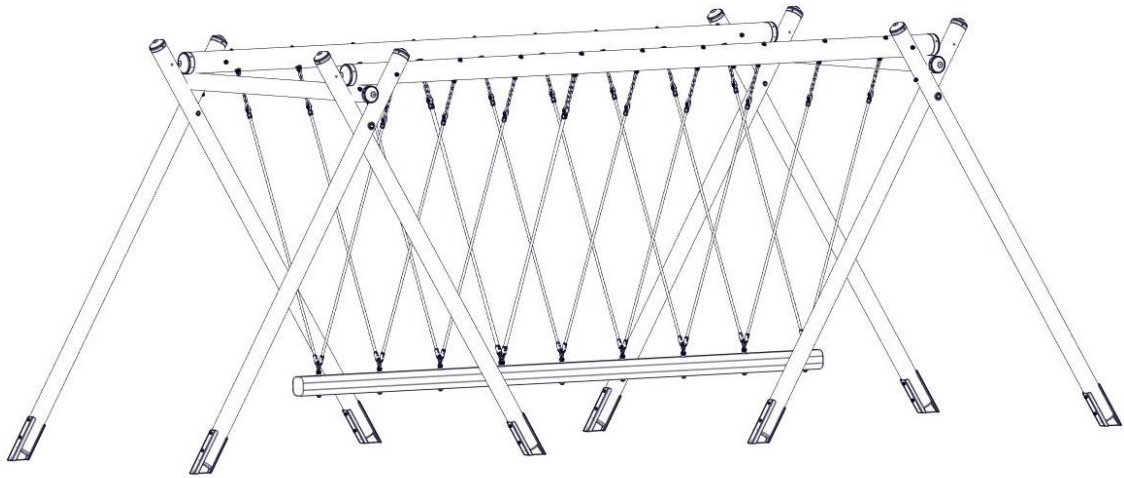


B Maintenance instructions

Super rope-end swinger “Rabenscheid”

Art. 4585-60

Attention! Only use the assembly instruction in the scope delivery for the assembly and maintenance of the respective equipment!





Revision 0 – 2006-02-13

Erste freigegebene Version

Montageanleitung AG

Revision 8– 2022-04-26

neue Form der Montageanleitung FH

Alle Rechte vorbehalten

All rights reserved

© Copyright 2004 Huck Seiltechnik GmbH



6 Introduction Maintenance

6.1 General informations

This equipment should be installed, inspected, maintained and operated in accordance with EN 1176-7 guidelines.



Please note: Providing any necessary repairs are carried out, a piece of play equipment that is inspected regularly cannot become so damaged that it is dangerous.

Any spare parts which may be required can be obtained directly from your supplier.



This equipment should only be assembled, maintained and repaired by **persons with the necessary expertise**.
A copy of the inspection record should be given to the operator, who must confirm receipt.

**This maintenance instruction is based on the standard
“EN 1176-1:2017”.**



7 General maintenance information

7.1 Maintenance intervals

Maintenance intervals are based on average use. Please note that more frequent inspections and/or maintenance are required if the play equipment is subject to intensive use.

7.2 Inspection frequency

The frequency of inspections must be based on actual use. Factors that affect frequency include vandalism, location (e.g. coastal proximity), air pollution and the age of the equipment.

7.3 Maintenance products and procedures

All nuts and bolts are hot-dip galvanised or stainless steel. One of the characteristics of stainless steel is that uncontrolled cold welding may occur when the nuts are tightened. To prevent this, it is necessary to spray the nuts and bolts with Teflon spray or another similar lubricant.

7.4 Spare parts

All spare parts must conform to the manufacturer's specifications.

7.5 Identifying spare parts

All spare parts are listed in the parts list. The parts list follows the installation requirements.

7.6 Special instructions for the disposal of individual equipment components

No special instructions are necessary for the disposal of individual equipment components.

7.7 Special measures during the break-in period

No later than 2 weeks after assembly, all screwed connections should be checked and tightened if necessary.

7.8 Drainage holes

All drainage holes should be kept clear.

7.9 Maintenance of protective surfaces

Surfaces providing fall protection must also be maintained regularly. It is particularly important to maintain the correct level of loose surface material and add more if necessary.



7.10 Faults



Faults must be repaired as soon as they are detected. If serious defects that compromise safety cannot be repaired straight away, the public must be prevented from using the equipment with immediate effect.

7.11 Loose screws



Loose screws always cause quality problems and put safety at risk. Therefore, loose screws should always be tightened and checks carried out to ensure that there are no missing screws (e.g. look out for holes you can see through).

7.12 Preventing equipment use

Use of the equipment should be prevented in the event of incomplete installation, disassembly, maintenance, repairs and faults.

7.13 Claims/liability for faults

Steel posts and footings are guaranteed if regular maintenance is carried out and recorded in writing. Our general terms and conditions apply. Maintenance first takes place after 3 years. The steel posts must be excavated as far as the concrete foundations and checked for corrosion.

Zinc paint should be applied to any corroded areas and scratches.

Check ropes for abrasion. Retreat any that are very worn.



8 Maintenance timetable

8.1 Special advices

8.1.1 Maintenance interval

We strongly advise you to carry out inspections and maintenance work within the specified periods as use of the equipment, the weather and malicious vandalism cause wear and tear that compromises the safety and function of the equipment.

8.1.2 Maintenance intervals in the event of intensive use

Please note that more frequent inspections and/or maintenance are required if the play equipment is subject to intensive use.

8.1.3 Faults that compromise safety



In the event of a fault that compromises safety, quick action must be taken. This may involve repairing it immediately or shutting down and dismantling the equipment.

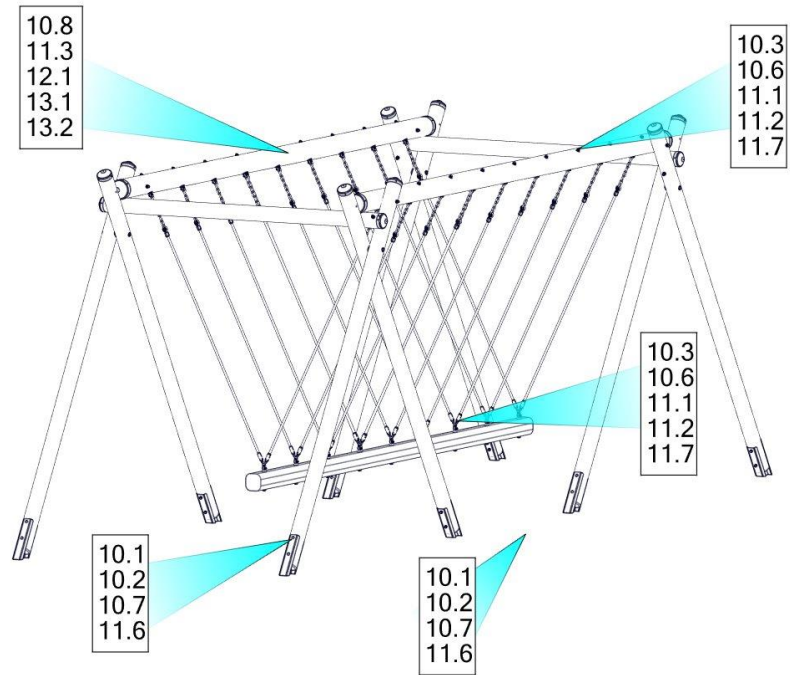
8.1.4 Faults that compromise function



Faults that compromise function should also be repaired immediately. Such faults lower the value of the equipment to the user and encourage malicious vandalism, which may render the equipment less safe. Any damage should also be repaired immediately.



9 Regular maintenance





10 Monthly maintenance

- 10.1 Check the spaces between the equipment and the ground (clearance and height of fall).**
- 10.2 Check the ground surface in the area with fall protection for hard objects and loose foundations.**
- 10.3 Check all connecting elements and fittings for wear and tear and tighten if necessary. Replace damaged or missing parts.**
- 10.4 Check that moving metal parts (joints, springs, etc.) move smoothly and are not worn. Replace if necessary. It is not necessary to lubricate joints as we only use maintenance-free metal roller bearings.**
- 10.5 Check all attachments such as chains, ropes, nets, etc. for damage and replace if necessary.**
- 10.6 Check rubber parts, sleeves, etc. for wear and tear or damage and replace if necessary.**
- 10.7 If necessary, remove excess padding material from the post footings due to danger of rotting.**
- 10.8 Check the surface of wooden parts for damage caused by the weather or external influences and mould. Repair or replace if necessary.**
- 10.9 Check the surface of plastic and metal parts, e.g. slides, for damage and replace if necessary.**

11 Quarterly maintenance

- 11.1 Detailed inspection of the operation and stability of the equipment paying particular attention to any wear and tear.**
- 11.2 Tighten all forms of attachment.**
- 11.3 Repaint and retreat surfaces.**
- 11.4 Maintenance of fall protection surfaces.**
- 11.5 Lubrication of joints.**
- 11.6 Check the height of the fall and top up with loose filler if necessary. If the posts are labelled, top up as far as the mark.**
- 11.7 Retighten all bolts**

12 Half-yearly maintenance

- 12.1 Stability (check posts, bracing, foundations, etc.).**



Attention

Annual Maintenance

13 Annual maintenance

13.1 Ascertaining that the equipment, foundations and surfaces are safe for operation.

13.2 In particular, the equipment should be checked for decay and corrosion. It may be necessary to dig out or excavate certain components in order to do so. Zinc paint should be applied to corroded areas and scratches.

Ascertaining whether there are any changes in equipment safety as a result of repairs that have been carried out or components that have been added or replaced.



Attention

The equipment must be inspected by someone **with the necessary expertise** in strict compliance with the instructions issued by Huck Seiltechnik GmbH.

A copy of the inspection record should be given to the operator, who must confirm receipt.



14 Maintenance printout

Name of item: Super rope-end swinger "Rabenscheid"/douglas fir _____ / Art. No. 4585-60

Location: _____

Customer or operator: _____

(Town, Town council, Kindergarten)

Date of inspection	Inspector	O.K.	Accessible	Barriered	Defects	Repaired by	Date

**Please copy and return once a year after main inspection has been carried out to the manufacturer by Telefax
 0049 6443 83 11 79**

Place the confirmation form in your existing play equipment files.



15 Hand over document



After the installation of the equipment pass the installation and maintenance documents to the operator. The operator has to receive the hand over documents. The complete filled and signed hand over document should be sent to the supplier.

Art.-No.: 4585-60

Type of item: Super rope-end swinger "Rabenscheid", douglas fir posts

Serial number:

Customer or operator (Town, Town council, Kindergarten, etc.):

Competent person in charge:

Installation company (address):

Responsible assistant (assembler):

Received the complete assembly instructions, maintenance instructions and maintenance printout.

(Signature of operator)
(Stamp)

(Signature of installation company)

Date: _____
