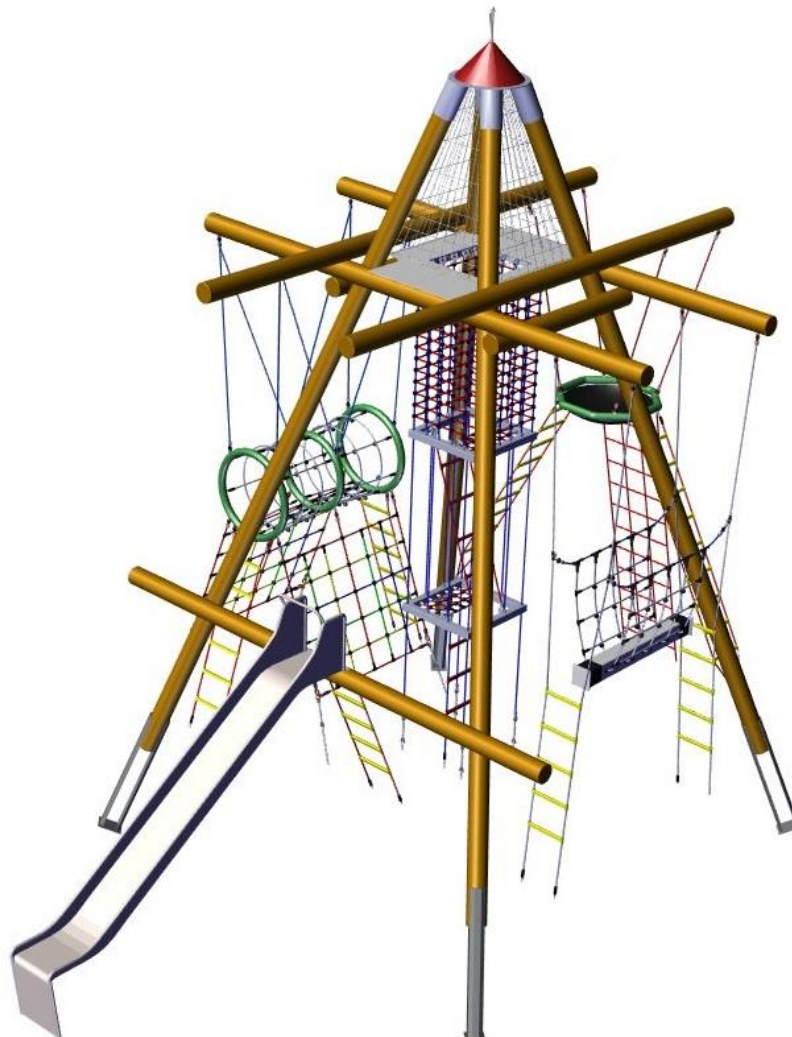

A Assembly Instructions Birds Nest Tower “Black Forrest” Art. 4652-21

Attention! Only use the assembly instructions included in the scope of delivery for the assembly, installation and maintenance of the respective equipment!



Operator: _____

Location: _____

Revision history
Revision 0 – 2015-01-28

The first allowed version
Revision 12_2022-06-07
Fundament 8 hinzu FH
Assembly Instructions JF
All rights reserved

© Copyright 2015 Huck Seiltechnik GmbH

Contents

A	Assembly Instructions Birds Nest Tower “Black Forrest” Art. 4652-21	1
1	Introduction Assembling	4
2	Data sheet: Birds Nest Tower “Black Forrest”, Art.4652-21	6
3	Delivery contents (parts list with part numbers)	8
4	Installation instruction	17
5	Post installation checks	36
B	Maintenance Instructions Birds Nest Tower “Black Forest” Art. 4652-21	37
6	Introduction Maintenance	38
7	General maintenance information	39
8	Maintenance timetable	41
9	Regular maintenance	42
10	Monthly maintenance	43
11	Quarterly maintenance	43
12	Half yearly maintenance	44
13	Annual maintenance	44
14	Maintenance printout	46
15	Hand over document	48

List of Parts

Table 3-1: Delivery contents, in words	8
Table 3-2: Delivery contents, in symbols	10

1 Introduction Assembling

1.1 General information

This equipment should be installed, inspected, maintained and operated in accordance with EN1176-7 guidelines.

Before installation work commences, please check that you have all of the equipment and fixation components in the parts list provided (see Tables 3-1 and 3-2).

Please consider that the installation has to be carried out only on even terrain (max.slope up to 3%).

Any spare parts that may be required can be obtained directly from your supplier.

Please do not hesitate to call your supplier if you have any problems during installation or in case of any other questions.



Following installation, complete assembly instructions, maintenance instructions and a maintenance record must be sent to the operator who must confirm receipt in writing. See the last page of this document.



All nuts and bolts are hot-dip galvanised or stainless steel. One of the characteristics of stainless steel is that uncontrolled cold welding may occur when the nuts are tightened. To prevent this, it is necessary to spray the nuts and bolts with Teflon spray or another similar lubricant.

We hereby confirm that this play equipment has been tested and certified in accordance with the play equipment standard EN 1176.

Drawings / Views

All optical drawings are showing only the measurements/dimensions and are no mandatory technical views of the complete item.

We reserve the right to change technical details of our articles which are serving for the further development of our articles and are reasonable for the customer.

Measurement tolerances

Because of the properties and characteristics of the components, minor measurement tolerances compared to the indication on the sketches are possible.

This concerns all shown measurements except the foundation measurements resp. measurements below upper edge ground level/play area.

2 Data sheet: Birds Nest Tower “Black Forrest”, Art.4652-21

1. Component zone: 5,65 m x 7,85 m

2. Safety zone: 8,90 m x 12,20 m

3. Fall height 3,0m

The Images (individual drawings) are not to scale !!

4. Required safety surface:

Surface material	Description mm	Minimum thickness of layer mm	Maximum height of fall mm
Topsoil grass			<= 1000*
Chipped bark	20 – 80 grain size	300/400	<= 2000/3000
Wood chippings	5 – 30 grain size	300/400	<= 2000/3000
Sand	0.2 – 2 grain size	300/400	<= 2000/3000
Gravel	2 – 8 grain size	300/400	<= 2000/3000
Other ground materials	As recommended by manufacturer		

5. Name and overall dimension of the largest component:

1x Wood posts (4 pieces) length 7,0m X Ø180 mm

6. Name and weight of the heaviest component:

1x Freight pallet, approx. 1080 kg

7. Intended age group: 6 years and over

8. **Please note that this equipment is set in concrete.**

Concrete: C25/30

Required concrete: 3,85 m³

Foundations/area to be excavated:

1) **1x** 1140 mm x 1140 mm x 400 mm
overall depth: 900 mm inkl. 100 mm drainage

9. 2) **4x** 500 mm x 500 mm x 400 mm
overall depth: 900 mm inkl. 100 mm drainage

3) **4x** 780 mm x 400 mm x 400 mm
overall depth: 900 mm inkl. 100 mm drainage

4) **1x** 600 mm x 400 mm x 400 mm
overall depth: 900 mm inkl. 100 mm drainage

- 5) **1x** 1200 mm x 400 mm x 400 mm
overall depth: 900 mm inkl. 100 mm drainage
- 6) **4x** 900 mm x 900 mm x 400 mm
overall depth: 900 mm inkl. 100 mm drainage
- 7) **1x** 700 mm x 300 mm x 200 mm
overall depth: 700 mm inkl. 100 mm drainage
- 8) **1x** 500 mm x 500 mm x 400 mm
overall depth: 900 mm inkl. 100 mm drainage



Round off foundation edges (min.R = 100 mm)! Sizes of foundations are “4-5” (natural ground).

Soil class 4: soft to medium plasticity, interleave bound, with minor portion of stone (portion < 30% with bigger diameter of 63 mm grain size).

Soil class 5 : ground with soil class 3 and 4 with big portion of stones (portion > 30% with bigger diameter of 63 mm grain size).

In case of sandy and soft soils, the surface measure of foundations have to be enlarged for about 50%!

10. Assembly time, once foundations completed: 8 hours.
Required assistants: 3-5 persons .
11. Any spare parts which may be required can be obtained directly from your supplier.
12. **We hereby confirm that this item of play equipment has been tested and certified in accordance with the play equipment standard EN 1176.**

3 Delivery contents (parts list with part numbers)

3.1 In words

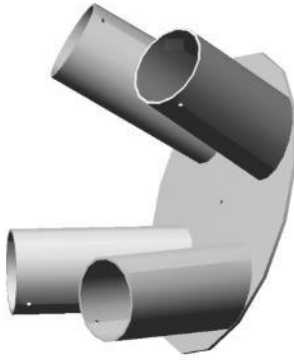





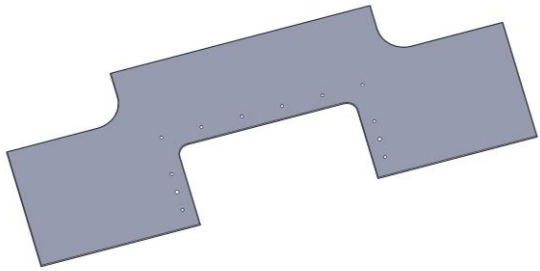
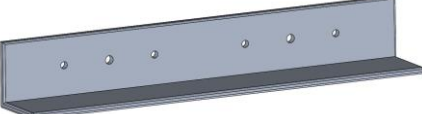
Table 3-1: Delivery contents, in words



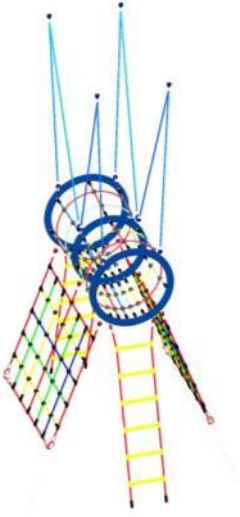
Pos.	Quantity	Element / Description	Size	O.K.	Missing
1	1	Head plate	0,93 x 0,93 x 0,34 m		
2	4	Wood beam	Ø 18 cm, 7,00 m		
3	4	Wood beam	Ø 18 cm, 5,00 m		
4	2	Wood beam	Ø 18 cm, 2,00 m		
5	1	Wood beam	Ø 18 cm, 4,00 m		
6	4	Post brackets	1,25 m long		
7	2	Aluminium chequer plate	680 x 1850 mm		
8	2	Angle plate	650 x 100 mm		
9	1	Rope chimney	4800 mm length		
10	1	Honeycomb nest with ladder and ropes + climbing net	Honeycomb nest Ø1000 mm		
12	1	Tunnel rings with nets and ladders	Tunnel rings Ø800 mm		
13	1	Barge rope net with nets and ladders	Barge rope length 1500 mm		
14	1	Slide	Slide length 3800 mm		
15	1	Ladder for slide	Ladder length 1800 mm		
16	4	Steel caging	1,50 x 1,24 m		
100	4	Countersunk eyebolt + acorn nut	M12 x 35 mm + M12		
101	20	Countersunk for Pos.8	M10 x 27 mm		
102	4	Washers for Pos. 8	M12		
103	64	Clamps for Pos. 16	15/19 mm		
104	140	Screws for Pos.103 by customer	5,0 x 50/32		
105	2	Woodenscrew (by the customer)	M10 x 60 mm		
106	16	Nyloc nuts	M12		
107	16	Washers	Ø13mm		
108	42	Screws	5 x 30 mm		

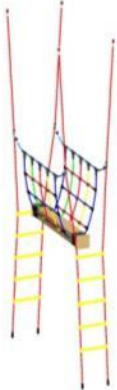


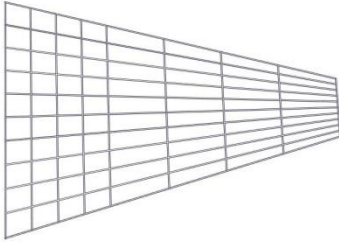
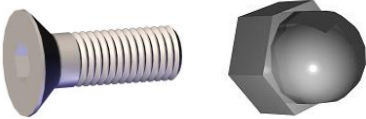
Pos.	Quantity	Element / Description	Size	O.K.	Missing
109	2	Plastic dowels (by the customer)	12er dowel		
110	8	Carriage bolts for Pos.6	M12 x 200 mm		
111	8	Washers	Ø13mm		
112	8	Nyloc nuts	M12		
113	8	Nut caps	For M12		
114	4	Screws	M12 x 80 mm		
115	2	Threaded socket for slide connection	M12 x 70 mm		
117	12	Post caps	Ø18mm		
118	2	Post caps	Ø18mm		
119	16	Wood screws	M10 x 60 mm		
120	16	Washers	Ø 10mm		
121	14	Bolts	M16 x 380 mm		
121a	2	Ring wedge anchor	Ø 63,95 mm		
122	14	Nyloc nuts	M16		
123	28	Washers	Ø 17mm		
124	14	Nut caps	Ø 16mm		
125	1	Head plate cap	Ø 600mm		
126	1	Flag + 1x nut + 2x Washer + 1x nut cap + 1x nyloc nut	M16 x 630 mm M16		
127	20	2 piece nut caps	Ø 40mm		
128	24	Chain 7mm + shackle	500mm long + M8		
129	1	Ring nut with lock washer and bolt	For raising frame with crane / M16 x 30		
130	24	Ground pegs + bow shackle	300 mm long + M10		
132	3	Loctite	/		
200	4	Wood laths for temporary fram construction (provided by customer)	40 mm x 60 mm x 4000 mm		





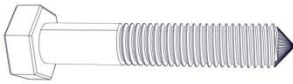



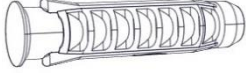




3.2 In symbols











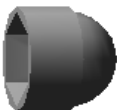

Table 3-2: Delivery contents, in symbols

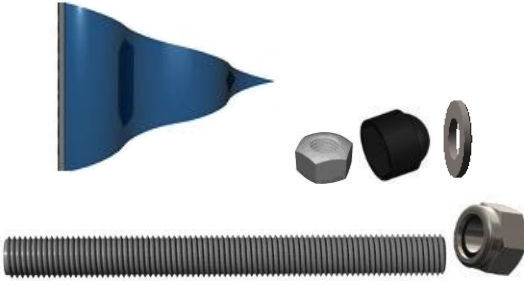






Pos.	Quantity	Symbol
1	1	
2	4	
3	4	
4	2	
5	1	
6	4	
7	2	
8	2	

Pos.	Quantity	Symbol
9	1	
10	1	
12	1	

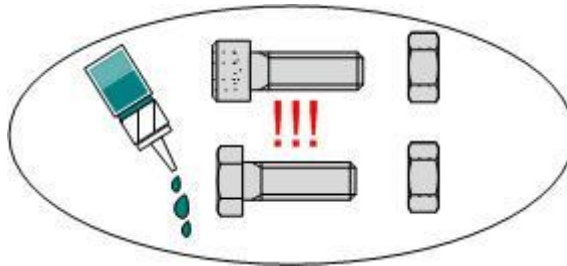
Pos.	Quantity	Symbol
13	1	
14	1	
15	1	
16	4	
100	4	

Pos.	Quantity	Symbol
101	20	
102	4	
103	64	
104	140	
105	2	 by customer
106	16	
107	16	
108	42	
109	2	 by customer
110	8	
111	8	
112	8	
113	8	

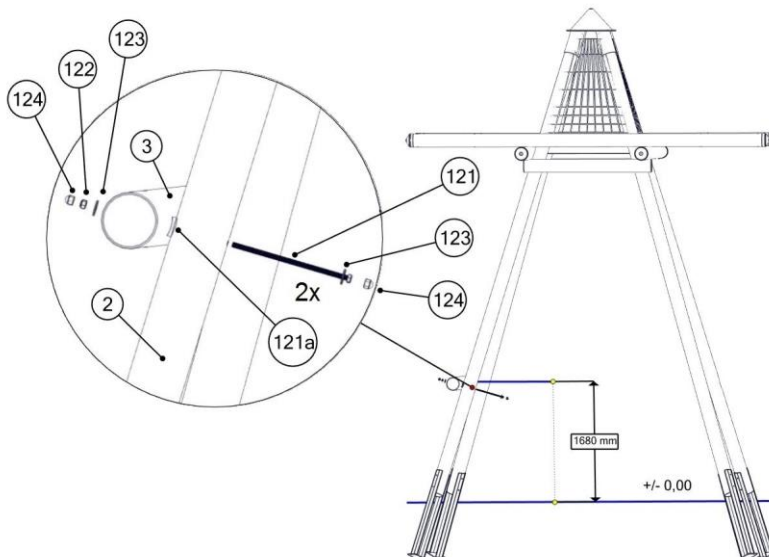
Pos.	Quantity	Symbol
114	4	
115	2	
117	12	
118	2	
119	16	
120	16	
121	14	
121a	2	
122	14	
123	28	
124	14	
125	1	

Pos.	Quantity	Symbol
126	1	
127	16	
128	24	
129	1	
130	24	
132	3	
200	4	

Loctite-Thread locking adhesive!

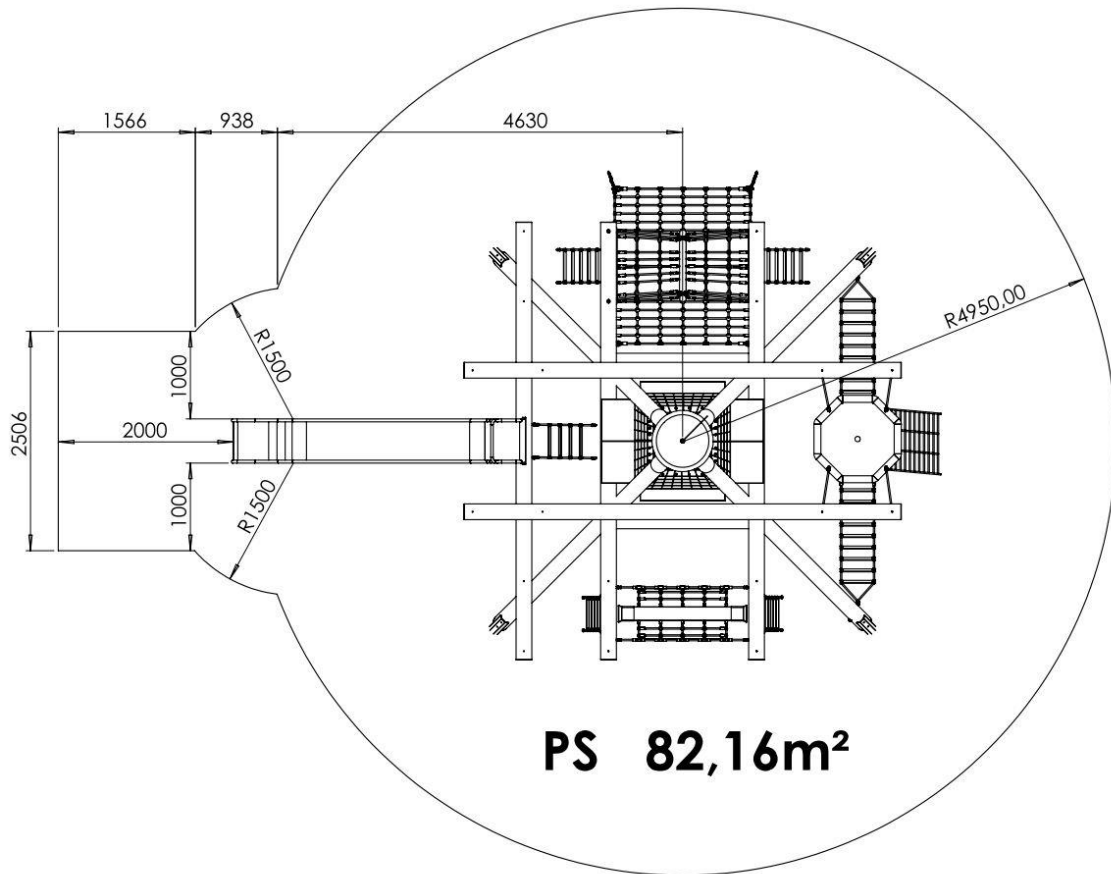


Glue all screws, nuts and sleeves with loctite.
(not less than 5 drops !)
(except for Nylock nuts)

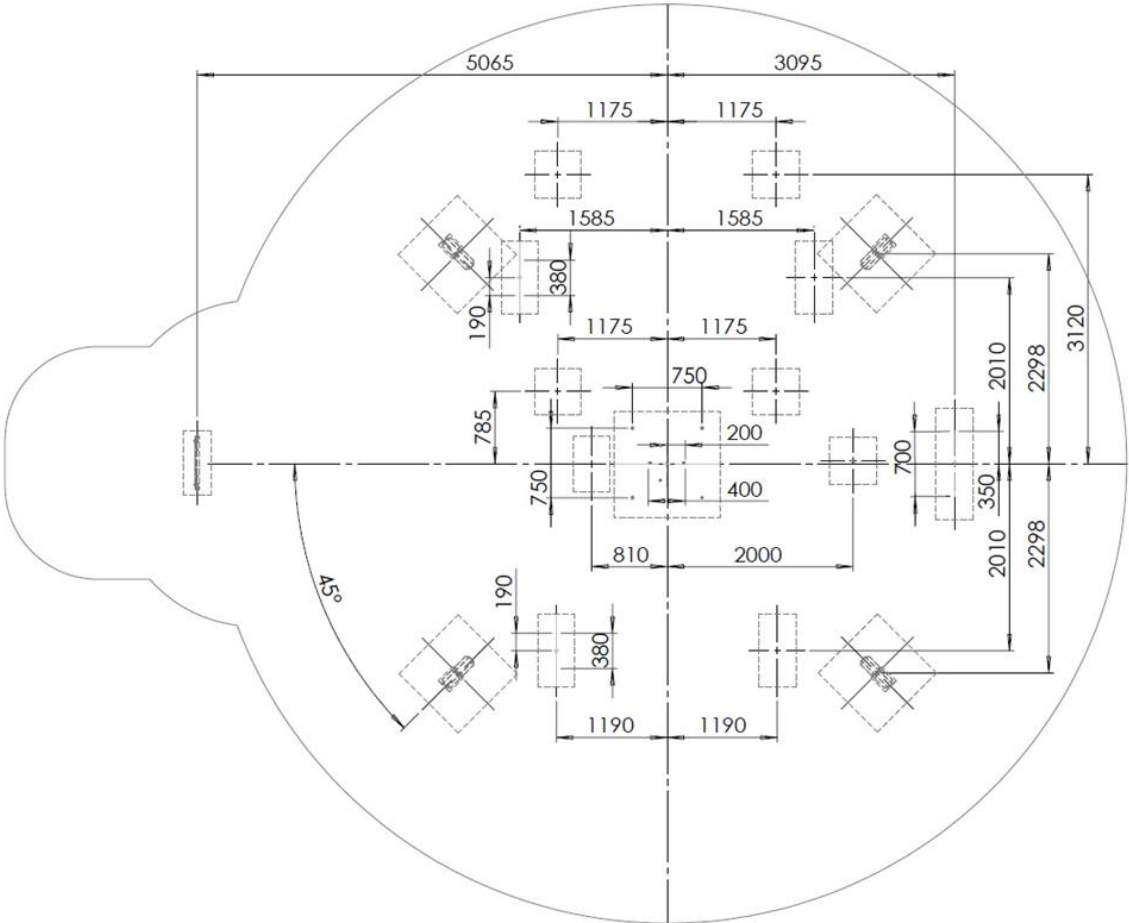


Installation instruction

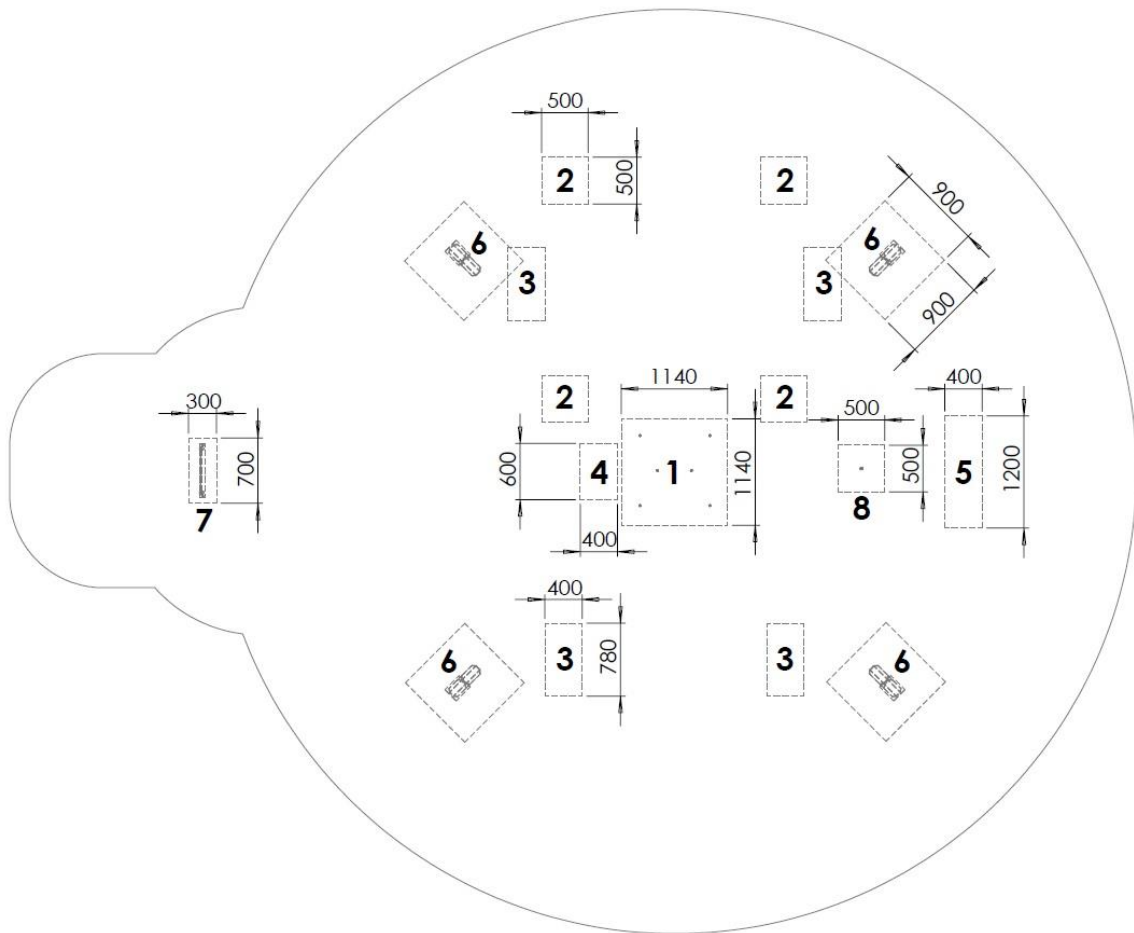
4.1 Used Zone



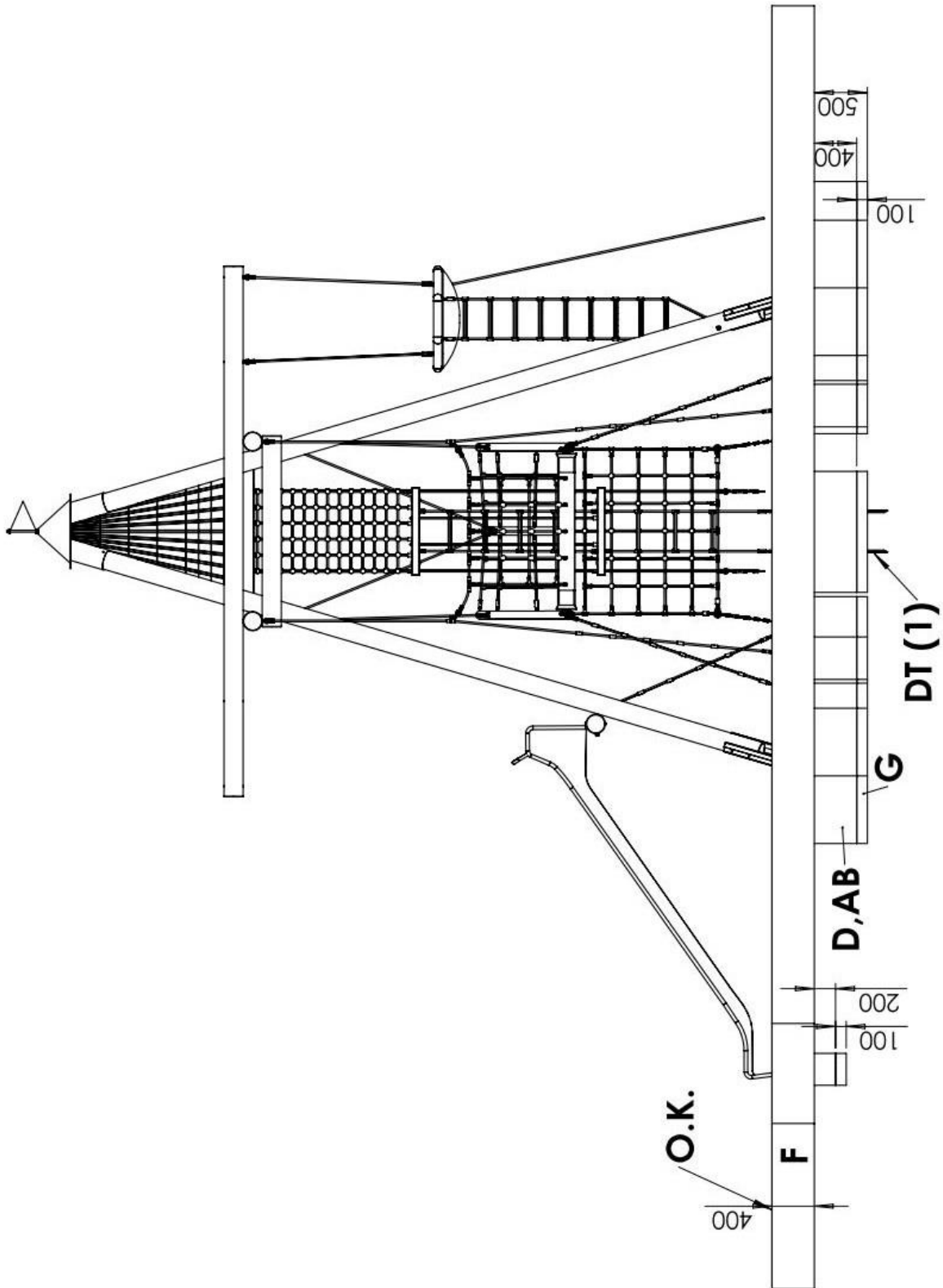
4.2 Foundation positions

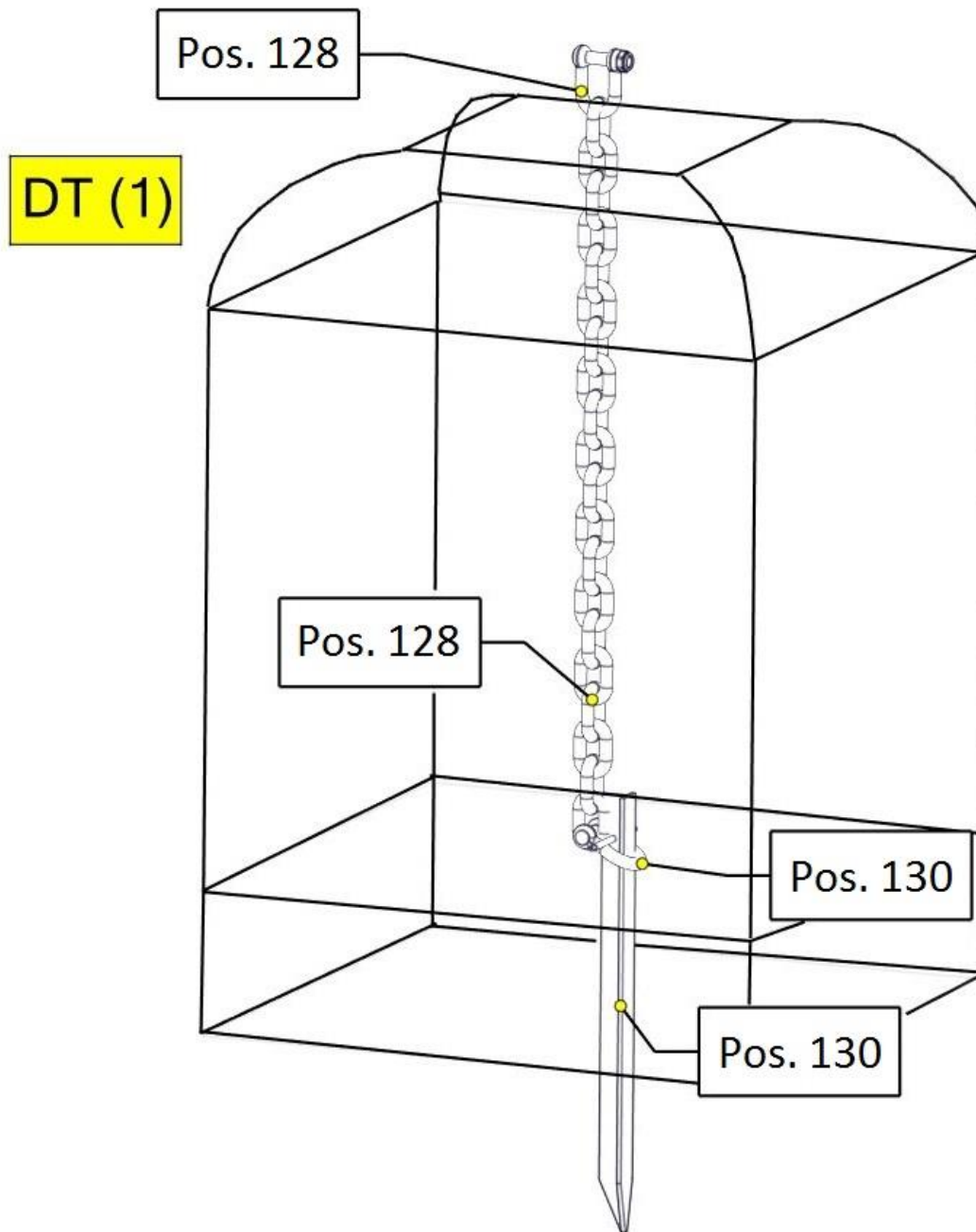


4.3 Foundation sizes

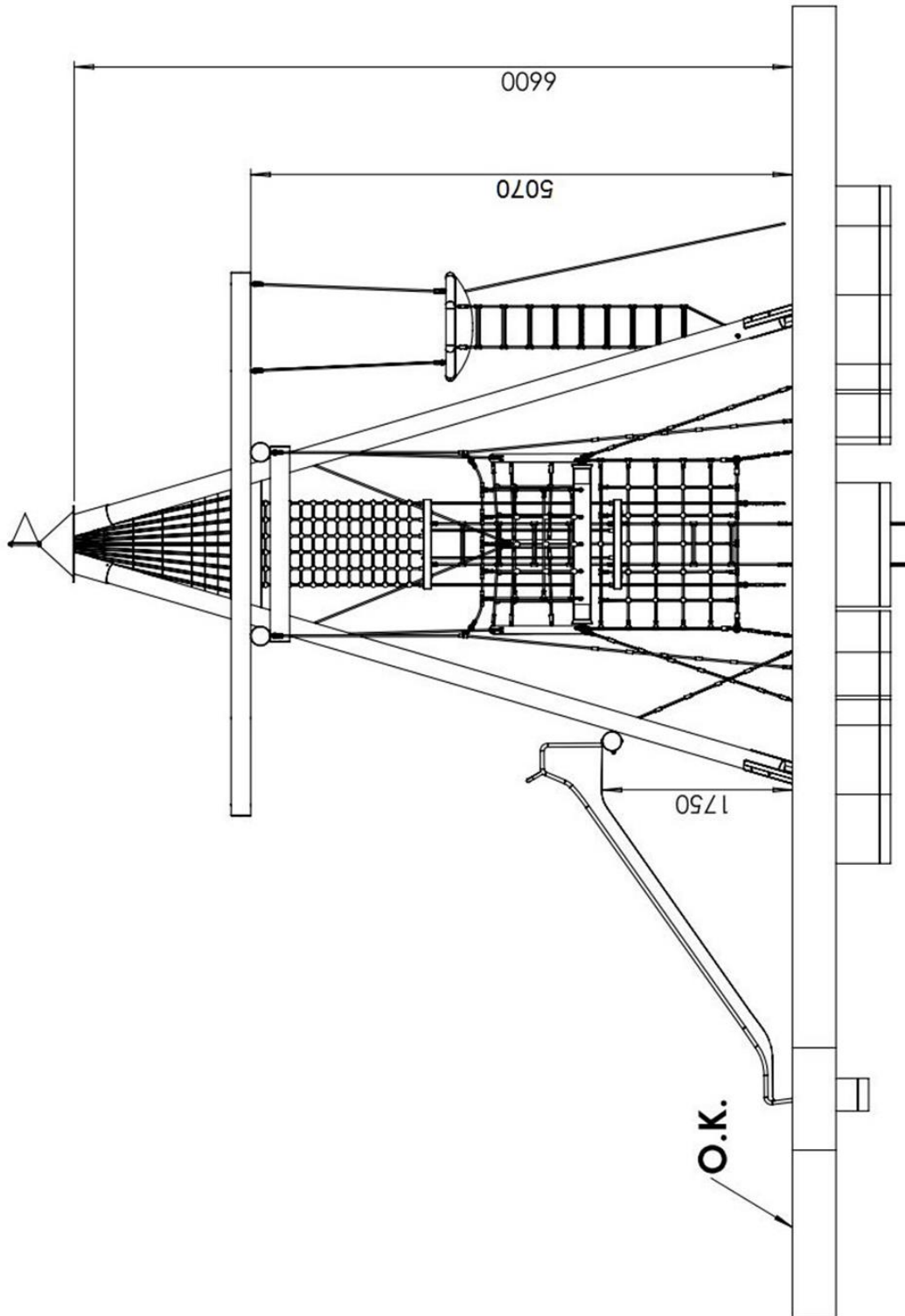


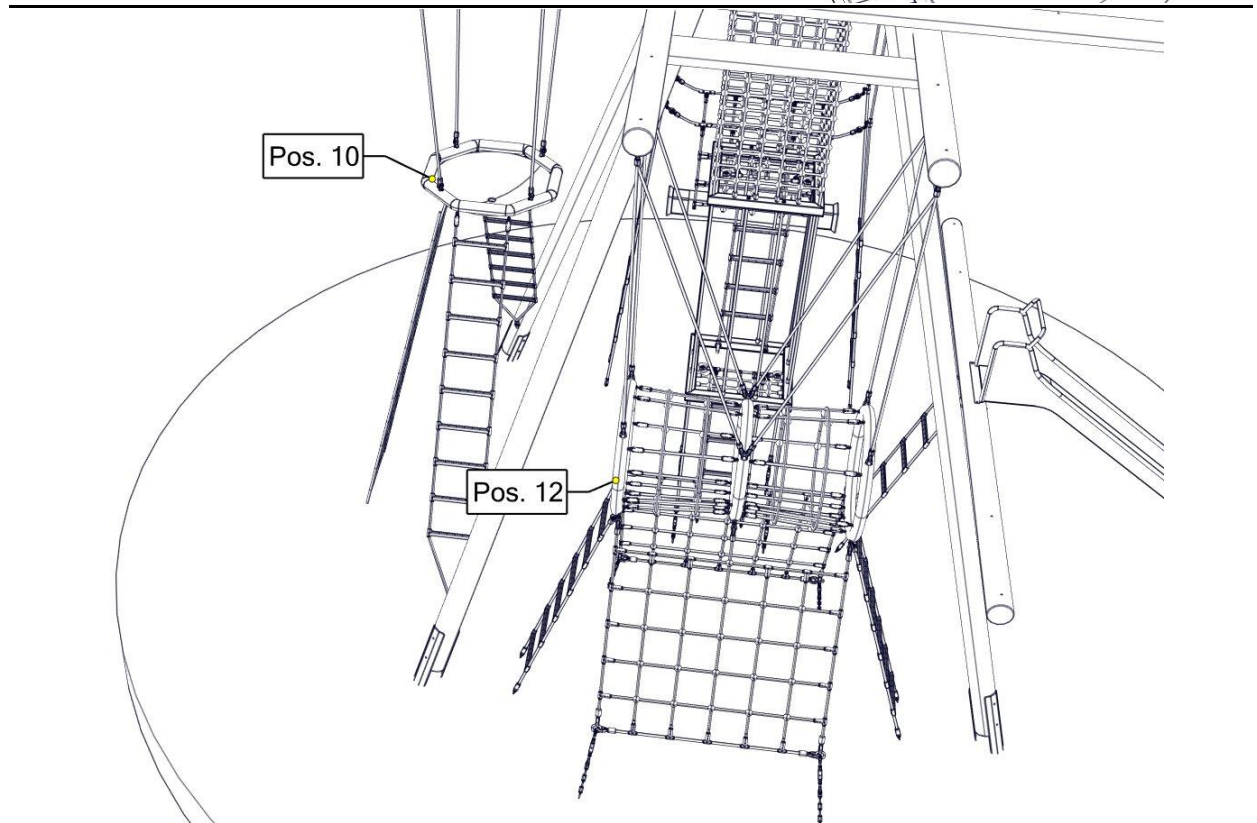
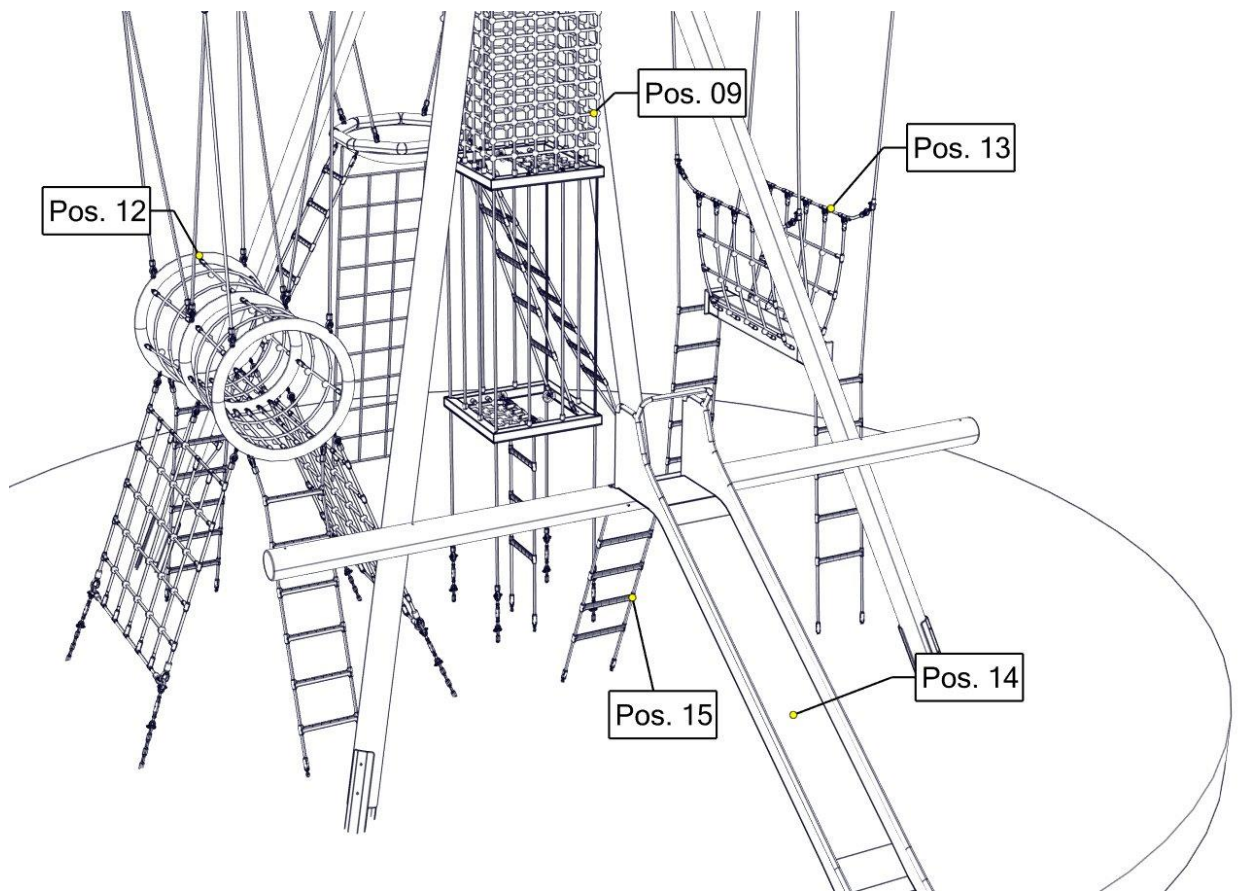
4.4 Foundation-depth

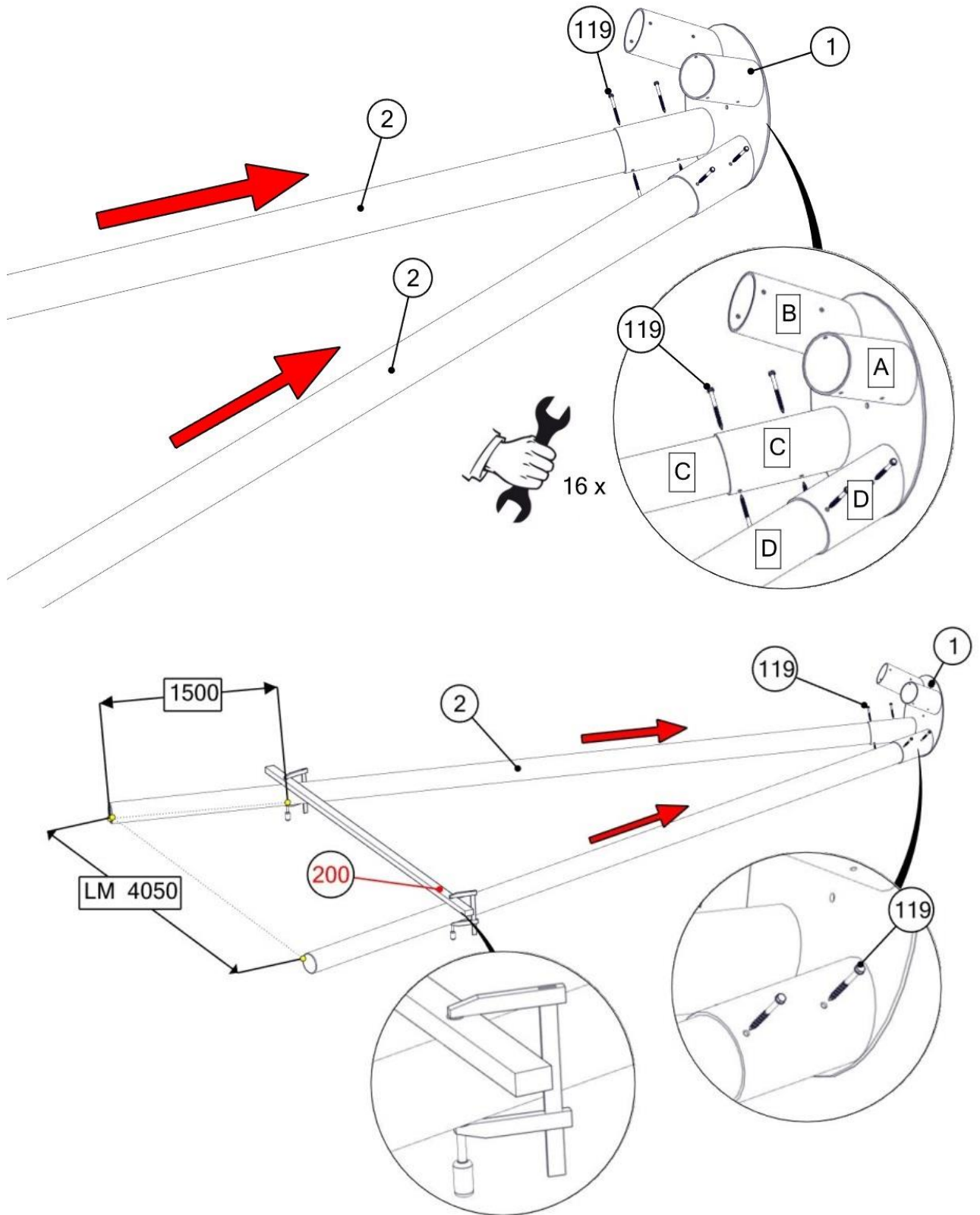


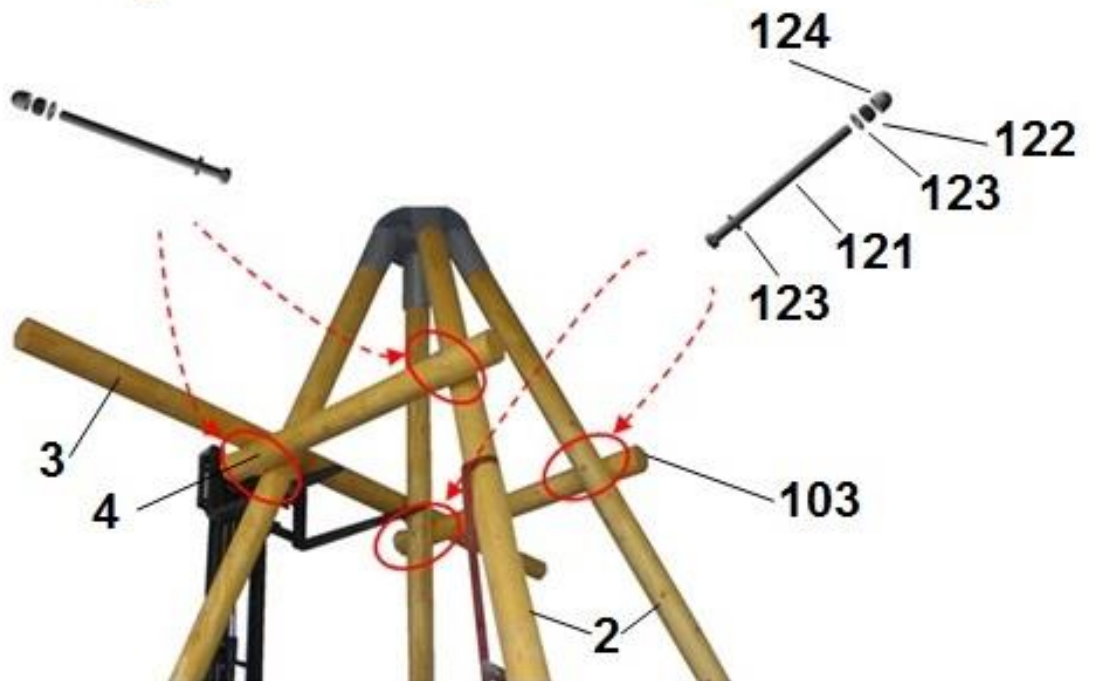
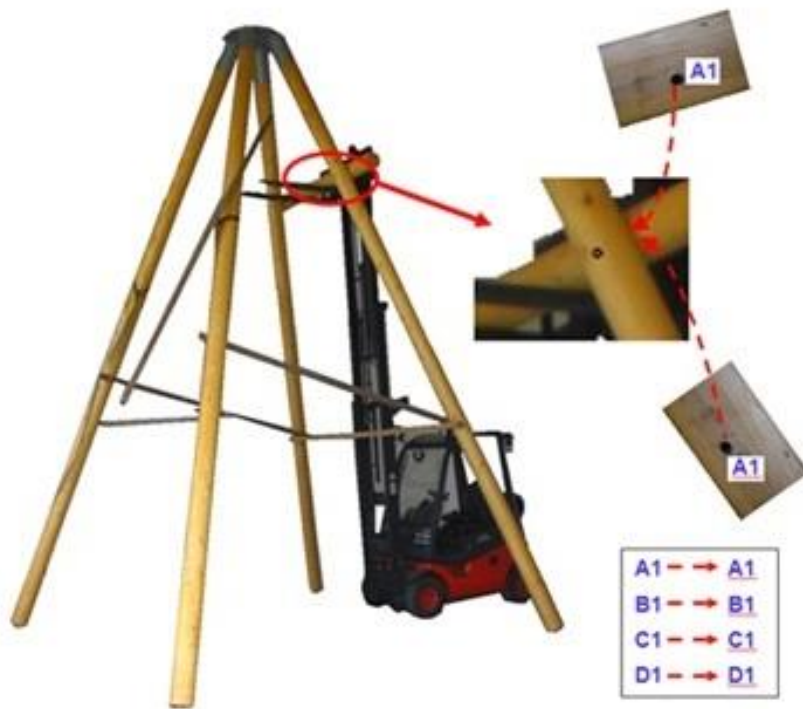


4.5 Device-height



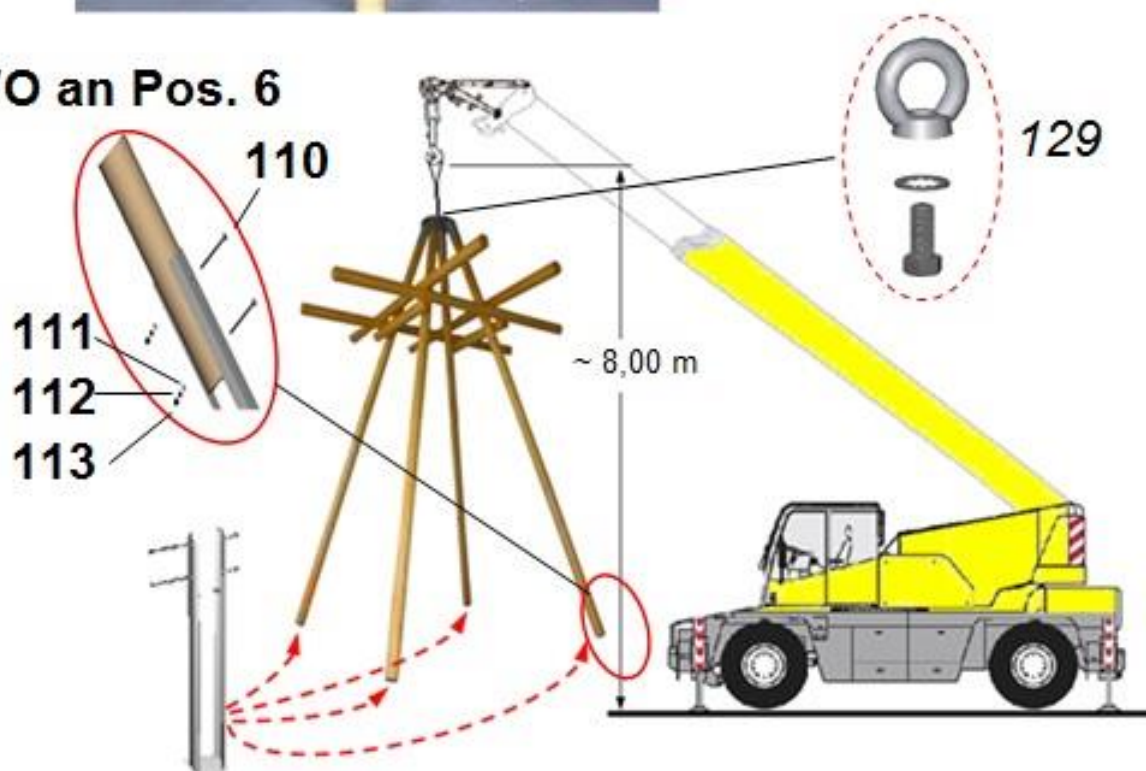


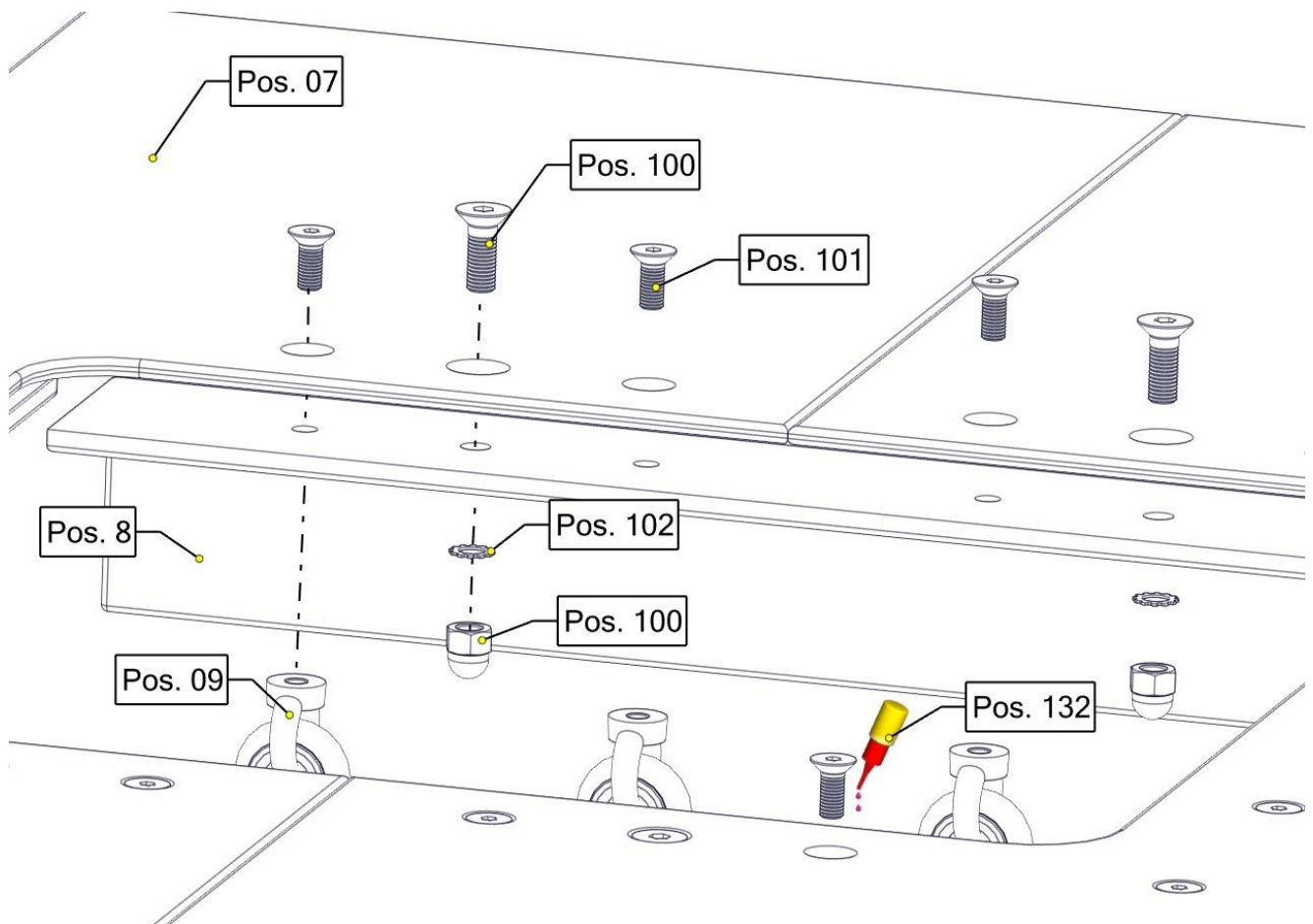
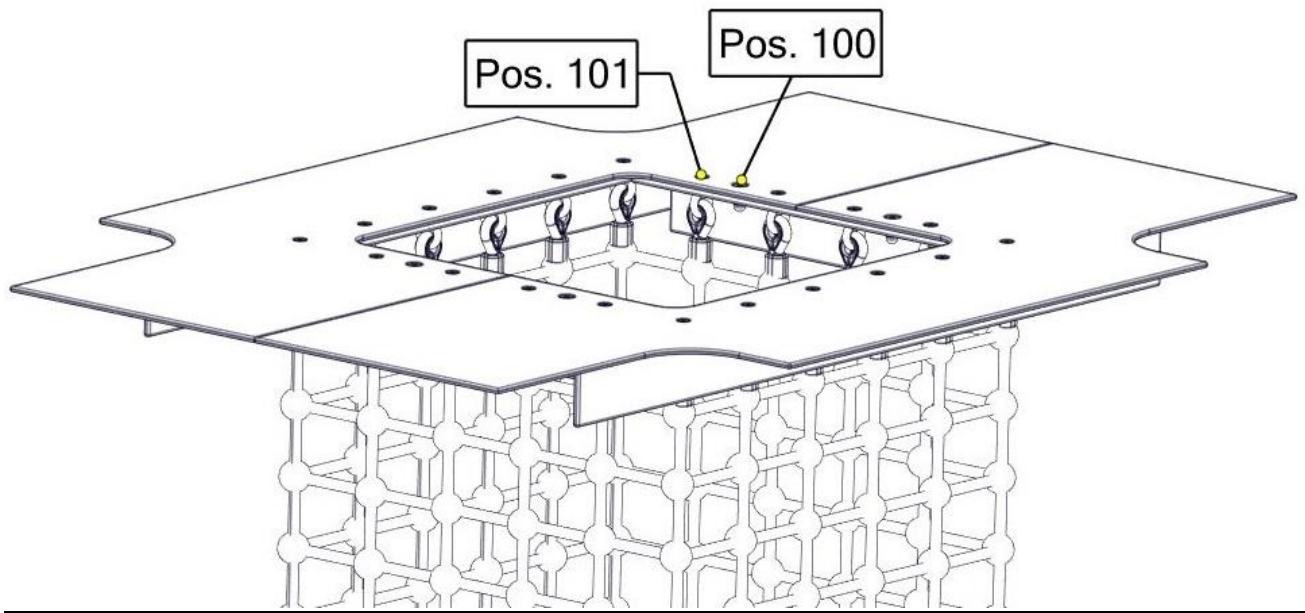


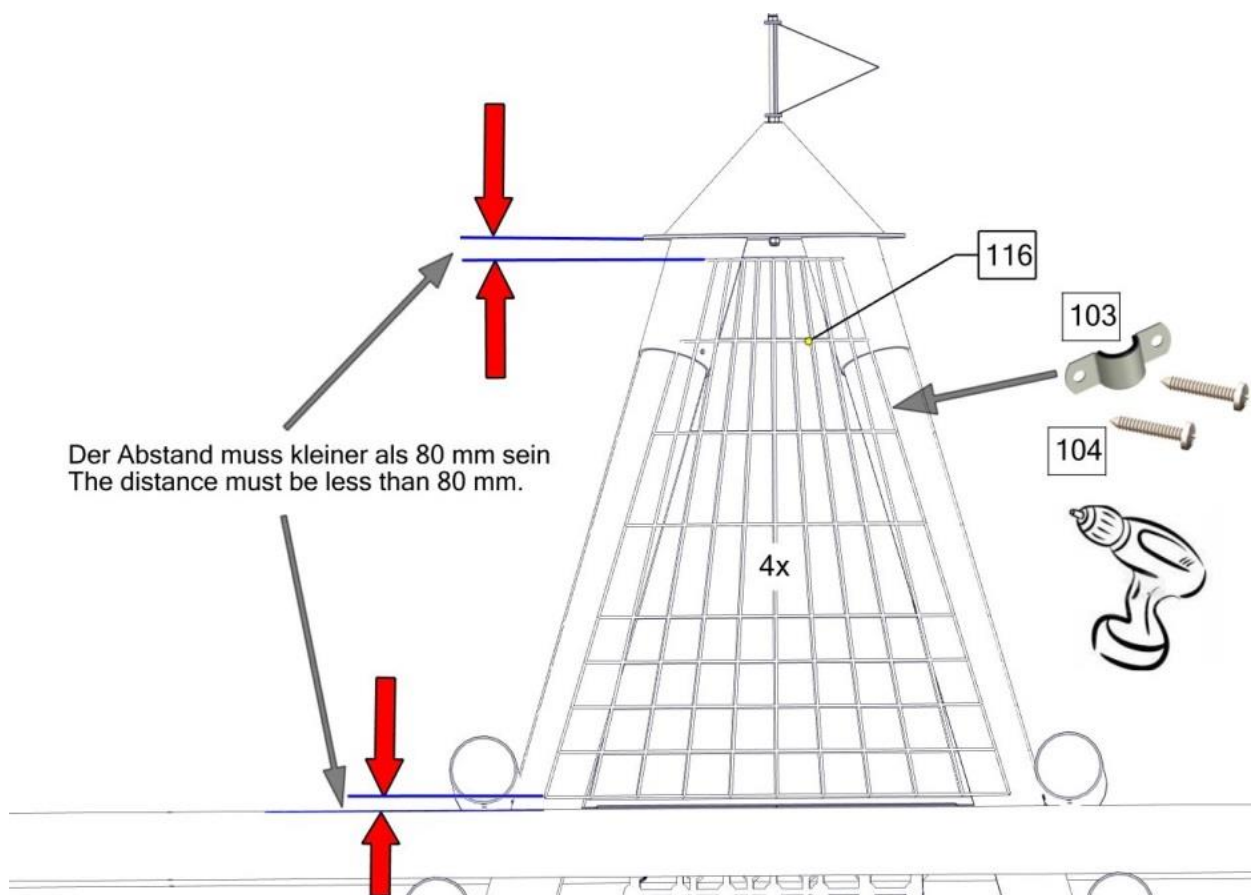


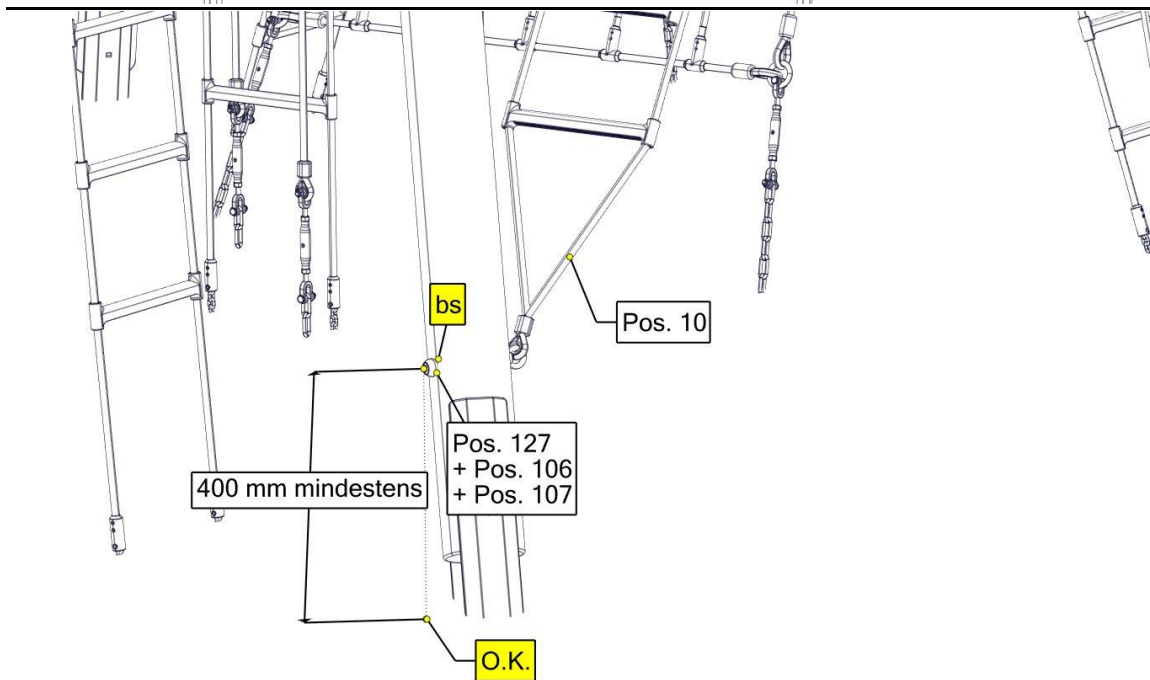
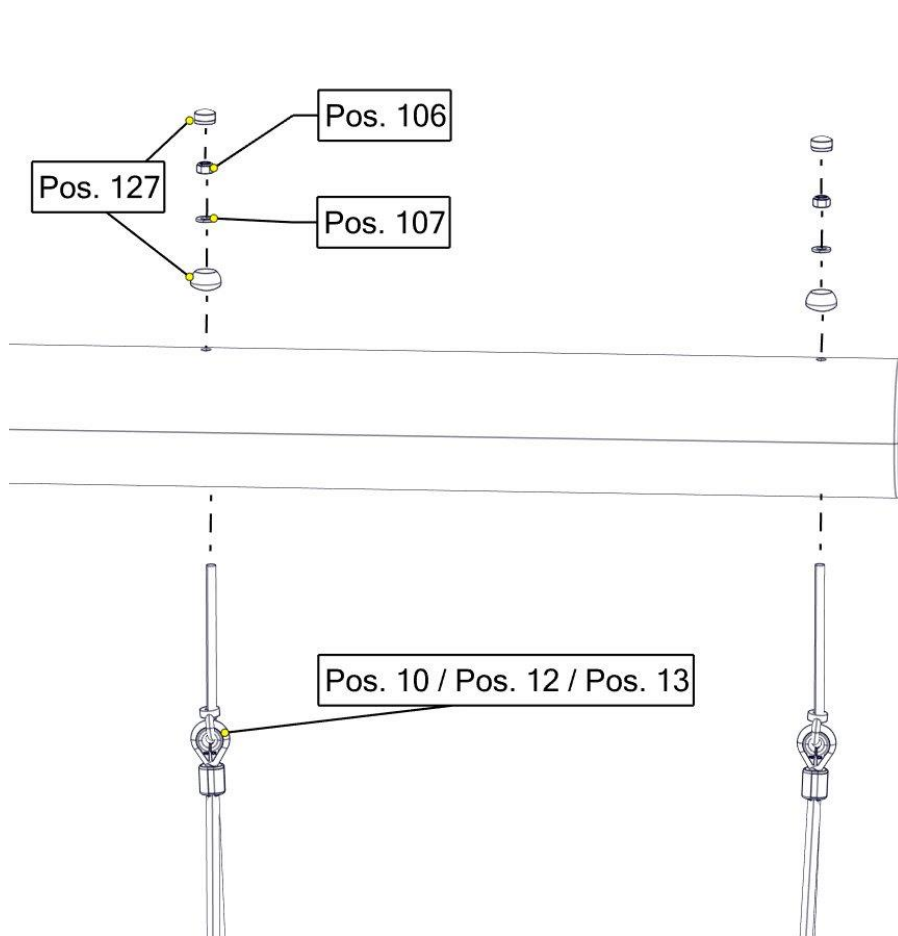


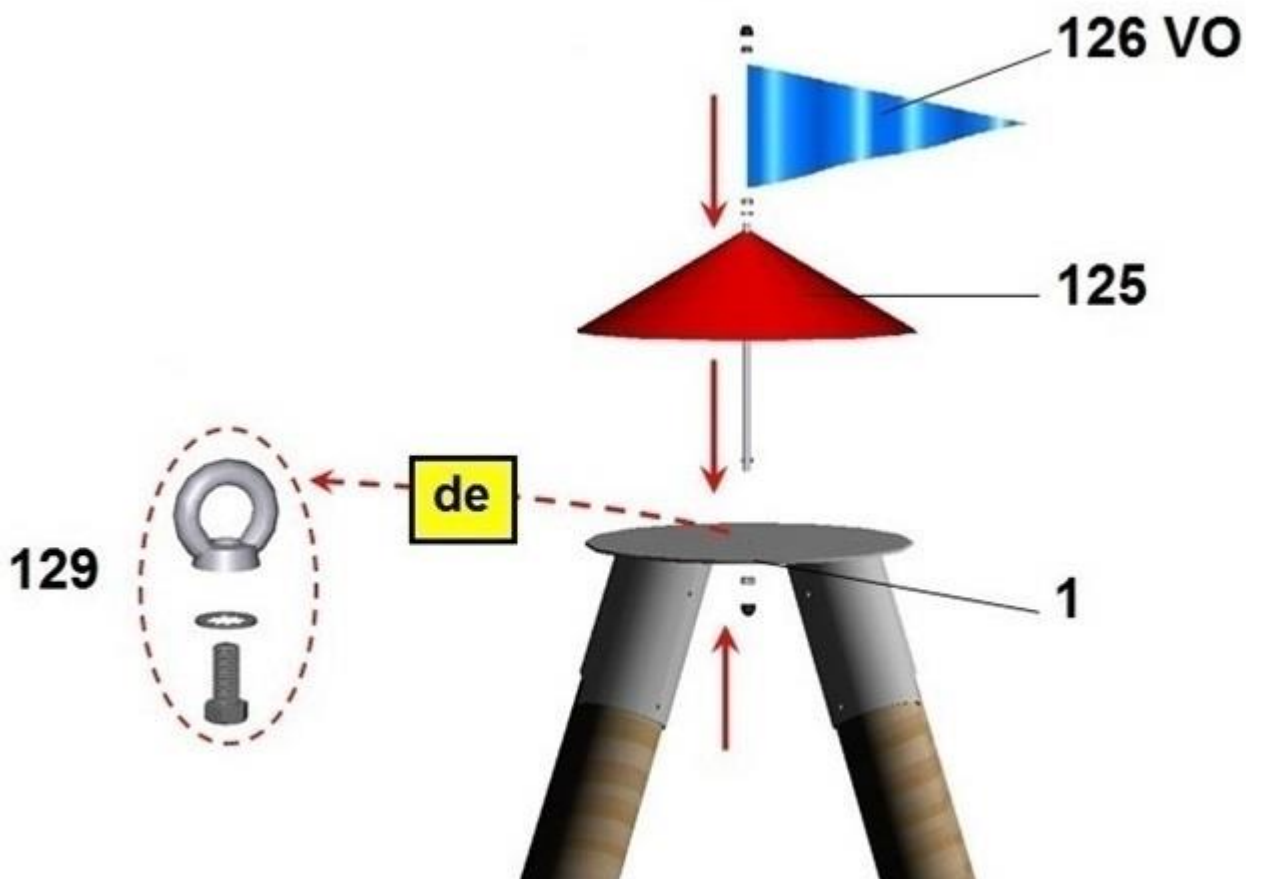
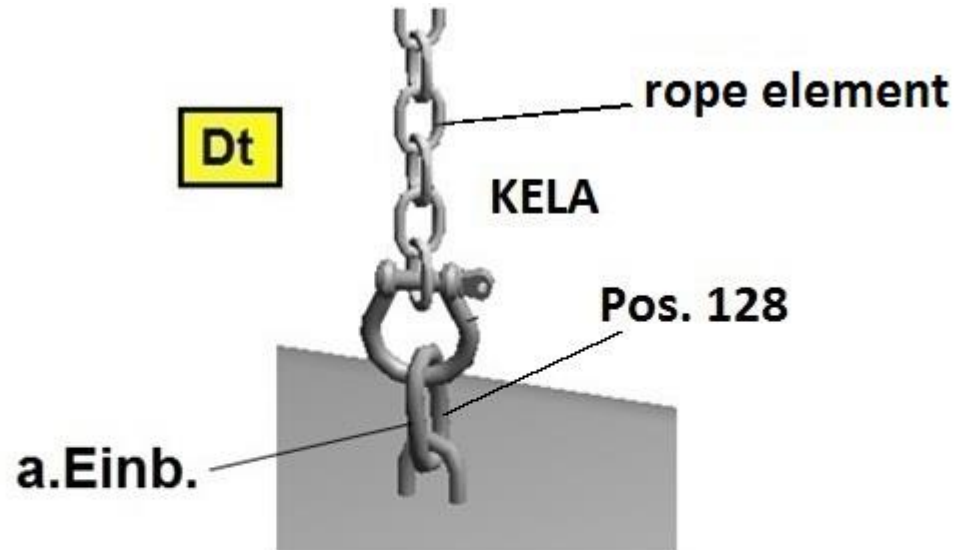
VO an Pos. 6

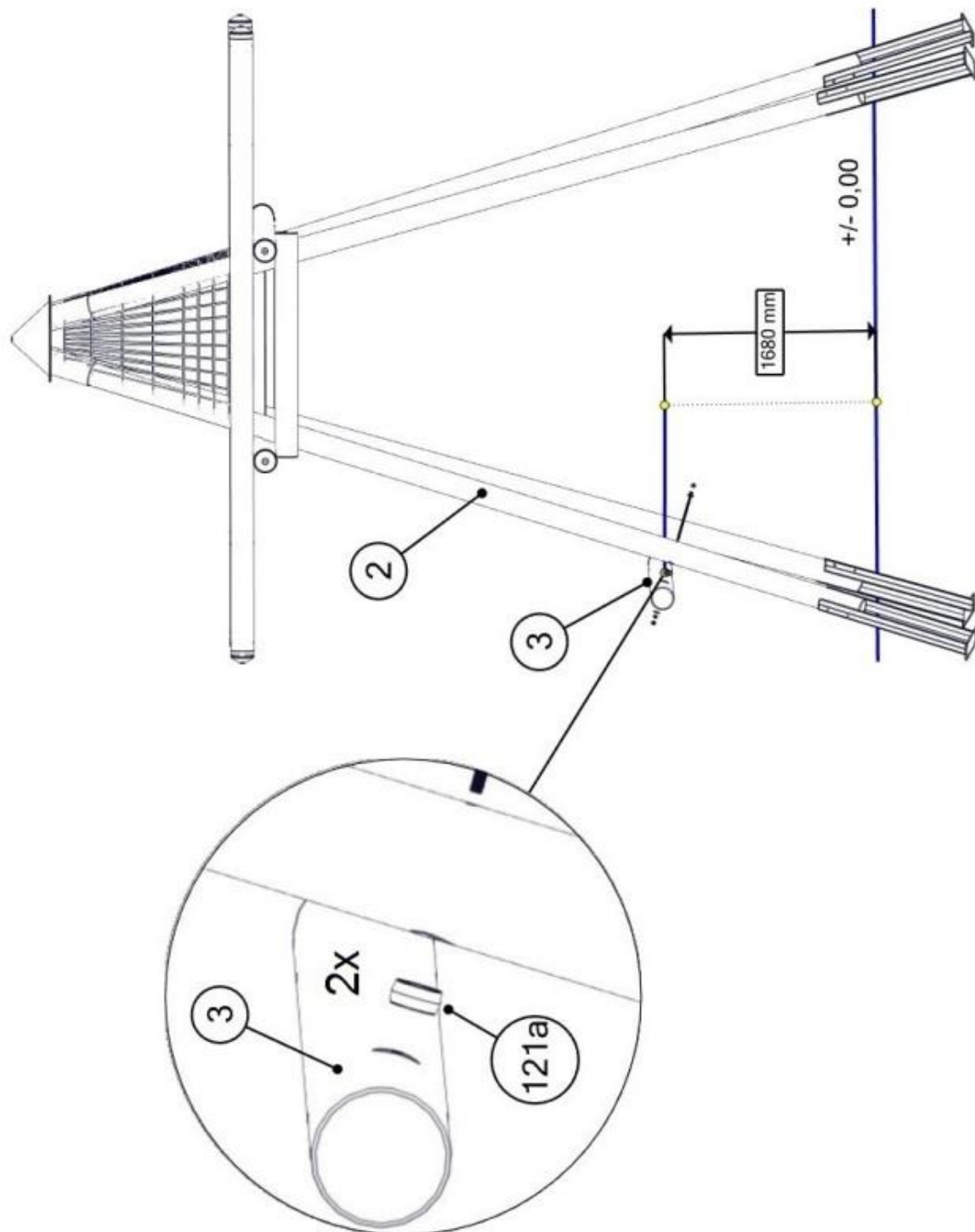


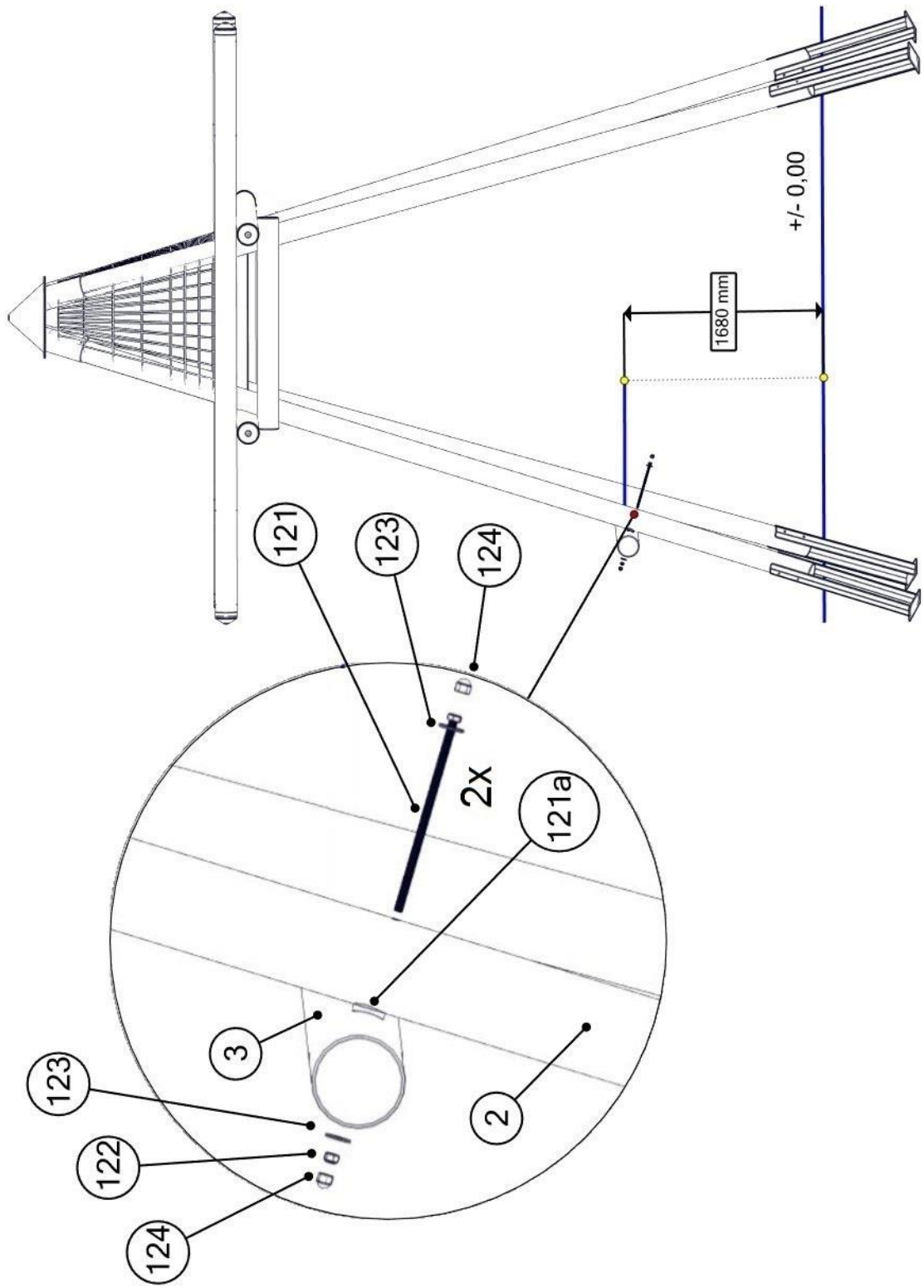


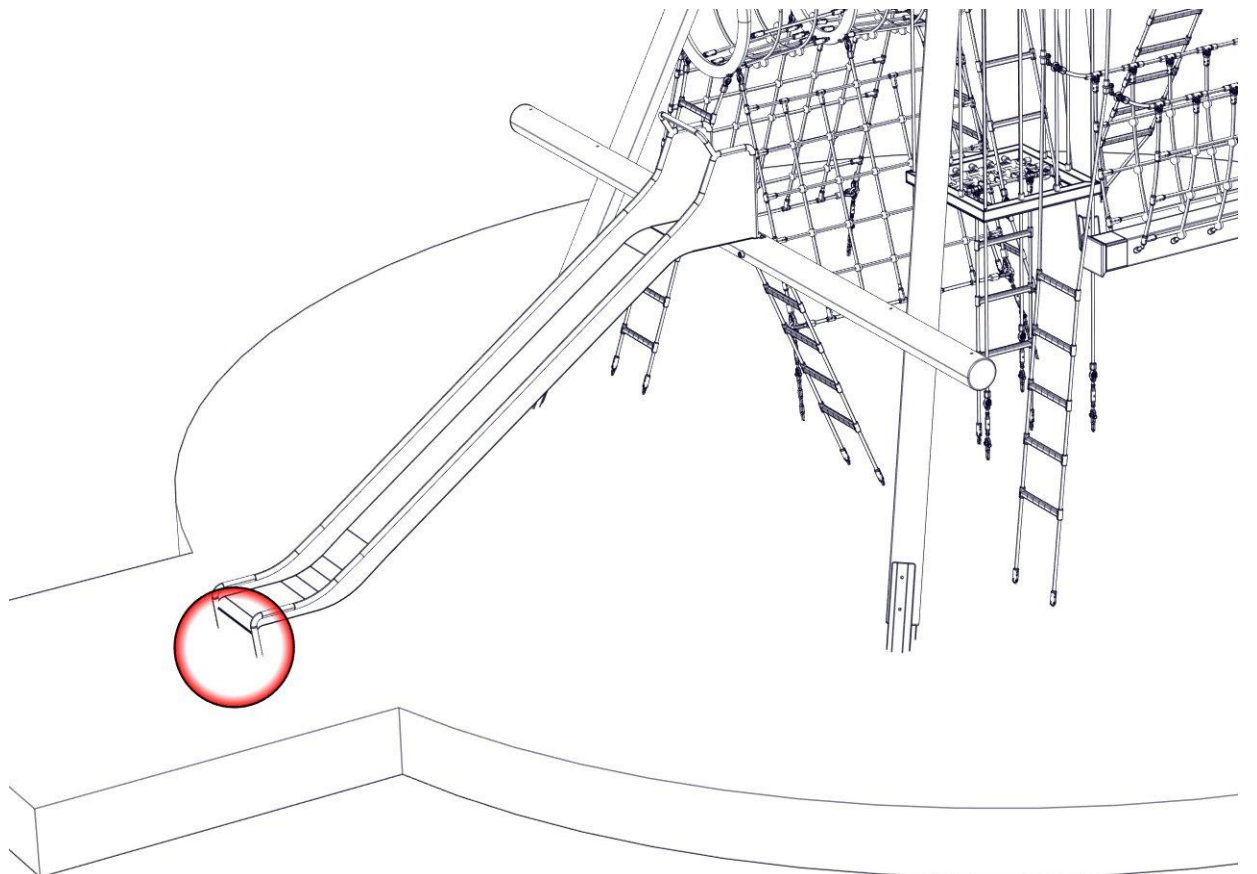
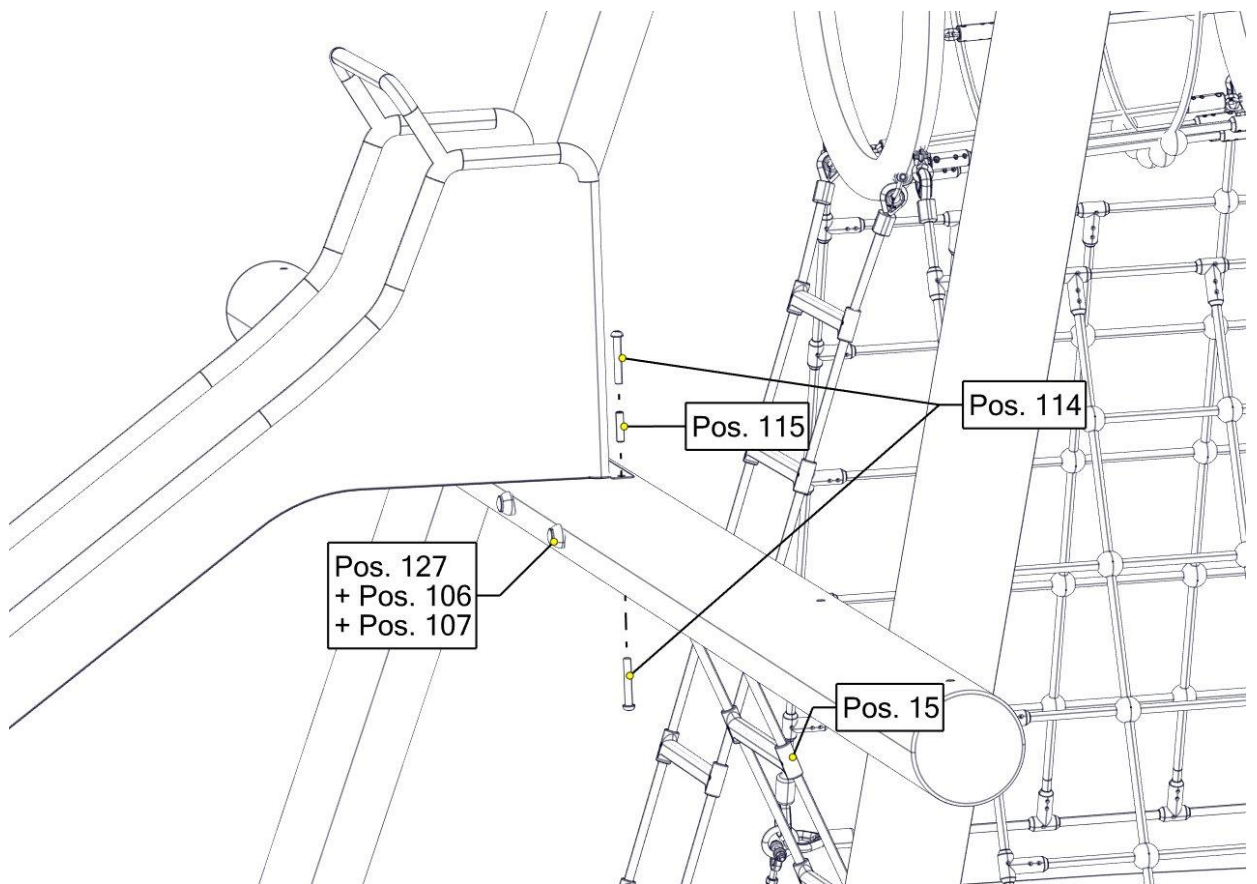


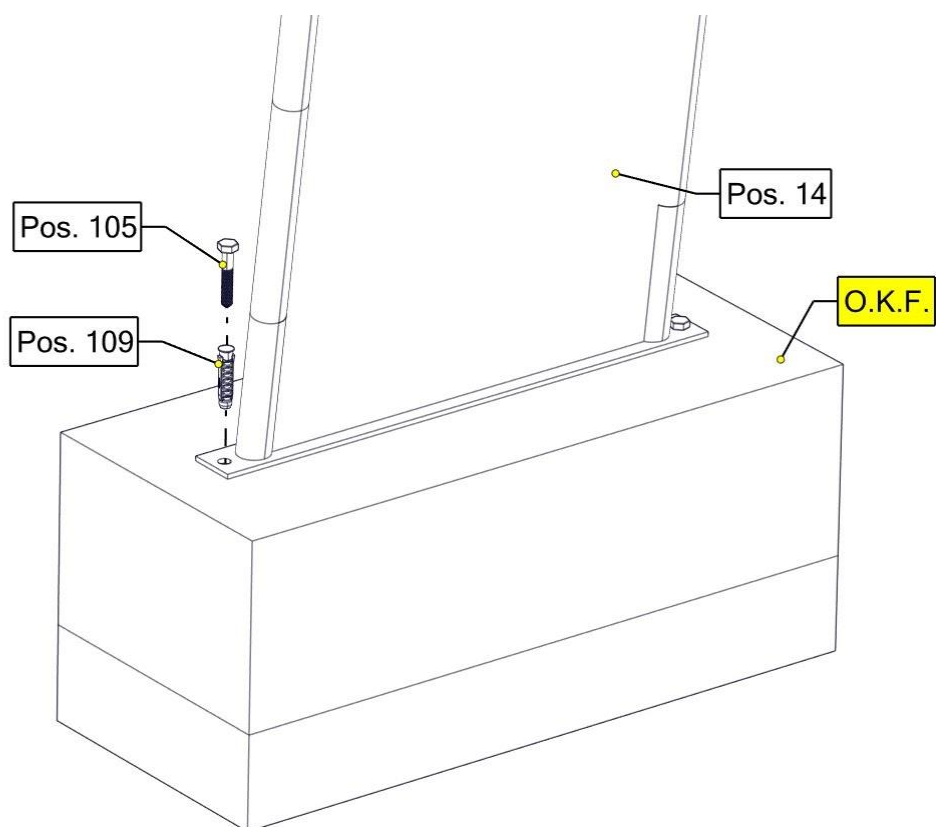
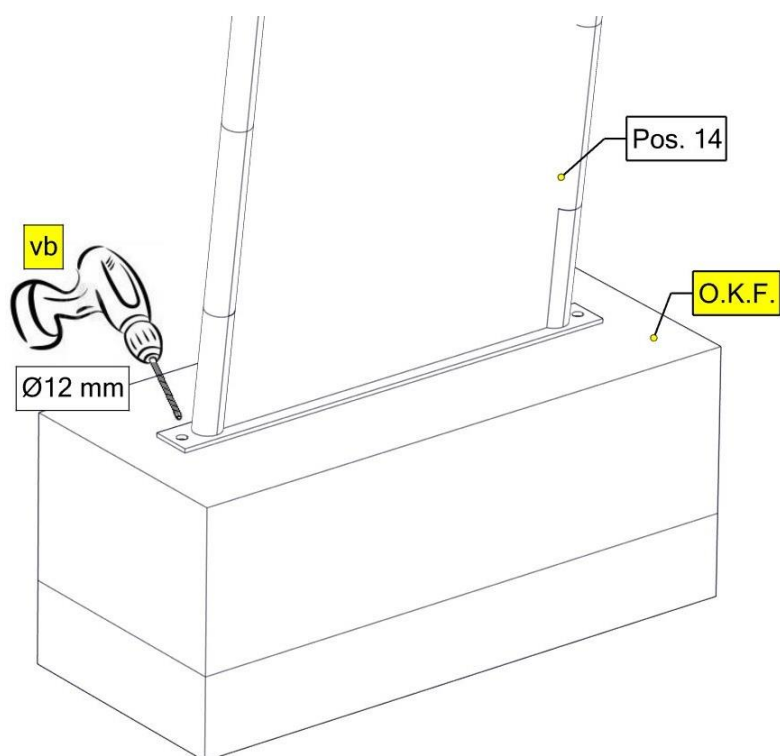













	Abbreviations for drawings
AB	Setting time for concrete C25/30 Observe prescribed setting periods
D	Concrete C25/30 concrete requirement: 3,85 m ³
DT	Detail
F	Fall protection
G	Drainage layer
a.Einb.	Install anker chain in concrete
KELA	Adjust chain length
O.K.	Upper edge of playing level
O.K.F	Top edge of foundation
vb	pre-drill
PS	Safety area
VO	Preassembled
Bs	On site customer
De	Disassembly
 Attention!	<p>Round off foundation edges (min.R = 100 mm)! Sizes of foundations are designed for soils class “4-5” (natural ground).</p> <p>Soil class 4: soft to medium plasticity, interleave bound, with minor portion of stone (portion < 30% with bigger diameter of 63 mm grain size).</p> <p>Soil class 5 : ground with soil class 3 and 4 with big portion of stones (portion > 30% with bigger diameter of 63 mm grain size).</p> <p>In case of sandy and soft soils, the surface measure of foundations have to be enlarged for about 50%!</p>

See drawings for details of shortcuts

5 Post installation checks



If the equipment has not been installed safely, you must ensure that the public is prevented from using it.

5.4 Marking filler depth

- Labelling the posts to show the depth of material provided as fall protection (i.e. loose filler).

5.4 The equipment has not been installed safely in the following cases:

- Installation of equipment is not complete.
- The protective surface has not been installed yet.
- Appropriate maintenance work cannot guarantee operational safety.

5.4 Removal of all assembly aids

- Please make sure that all assembly aids have been removed from the playing area. The equipment must not be approved for use until this check has been carried out.

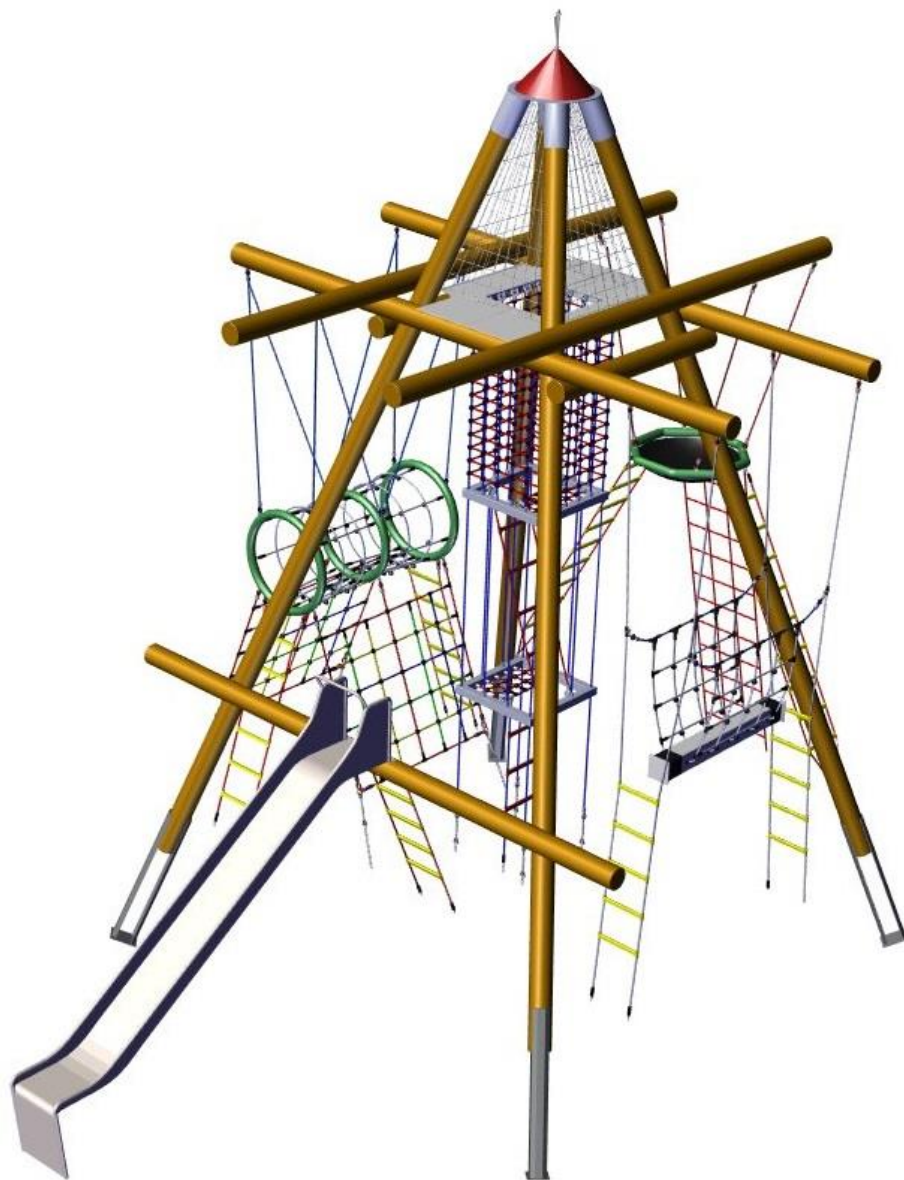
5.4 Information about inspection of the equipment before it is used for the first time

- There are no special inspection requirements to be met before the equipment is used for the first time.

5.4 Retighten bolts

- After one week of play, please retighten all bolts again. Later upon respective maintenance.

B Maintenance Instructions
Birds Nest Tower “Black Forest”
Art. 4652-21



Revision history

Revision 0 – 2015-01-28

The first allowed version

Revision 09_2020-01-07

Stückliste geändert lt. Ralf FH

Maintenance Instructions JF

All rights reserved

© Copyright 2015 Huck Seiltechnik GmbH

6 Introduction Maintenance

6.1 General informations

This equipment should be installed, inspected, maintained and operated in accordance with EN 1176-7 guidelines.



Please note: Providing any necessary repairs are carried out, a piece of play equipment that is inspected regularly cannot become so damaged that it is dangerous.

Any spare parts which may be required can be obtained directly from your supplier.



This equipment should only be assembled, maintained and repaired by **persons with the necessary expertise**.

A copy of the inspection record should be given to the operator, who must confirm receipt.

**This maintenance instruction is based on the standard
“EN 1176-1:2017”.**

7 General maintenance information

7.1 Maintenance intervals

Maintenance intervals are based on average use. Please note that more frequent inspections and/or maintenance are required if the play equipment is subject to intensive use.

7.2 Inspection frequency

The frequency of inspections must be based on actual use. Factors that affect frequency include vandalism, location (e.g. coastal proximity), air pollution and the age of the equipment.

7.3 Maintenance products and procedures

All nuts and bolts are hot-dip galvanised or stainless steel. One of the characteristics of stainless steel is that uncontrolled cold welding may occur when the nuts are tightened. To prevent this, it is necessary to spray the nuts and bolts with Teflon spray or another similar lubricant.

7.4 Spare parts

All spare parts must conform to the manufacturer's specifications.

7.5 Identifying spare parts

All spare parts are listed in the parts list. The parts list follows the installation requirements.

7.4 Special instructions for the disposal of individual equipment components

No special instructions are necessary.

7.7 Special measures during the break-in period

No later than 2 weeks after assembly, all screwed connections should be checked and tightened if necessary.

7.8 Maintenance of protective surfaces

Surfaces providing fall protection must also be maintained regularly. It is particularly important to maintain the correct level of loose surface material and add more if necessary.

7.9 Faults



Damages must be repaired as soon as they are detected. If serious defects that affect the safety cannot be repaired straight away, the playground item must be blocked with immediate effect.

7.10 Loose screws



Loose screws always cause quality problems and put safety at risk. Therefore, loose screws should always be tightened and checks carried out to ensure that there are no missing screws.

7.11 Preventing equipment use

Use of the equipment should be prevented in the event of incomplete installation, disassembly, maintenance, repairs and faults.

7.12 Claims/liability for faults (steel poles)

Steel posts and footings are covered by our guarantee if regular maintenance is carried out and recorded in writing.

Our general terms and conditions apply. Maintenance of steel poles first takes place after 3 years. The steel posts must be excavated down to the concrete foundations and checked for corrosion.

Zinc paint should be applied to any corroded areas and scratches.

Check ropes for abrasion, replace ropes where coating is damaged down the Steel inlet.

8 Maintenance timetable

8.4 Special advices

8.1.1 Maintenance interval

We strongly advise you to carry out inspections and maintenance work within the specified periods as use of the equipment, the weather and malicious vandalism cause wear and tear that compromises the safety and function of the equipment.

8.1.2 Maintenance intervals in the event of intensive use

Please note that more frequent inspections and/or maintenance are required if the play equipment is subject to intensive use.

8.1.3 Faults that compromise safety



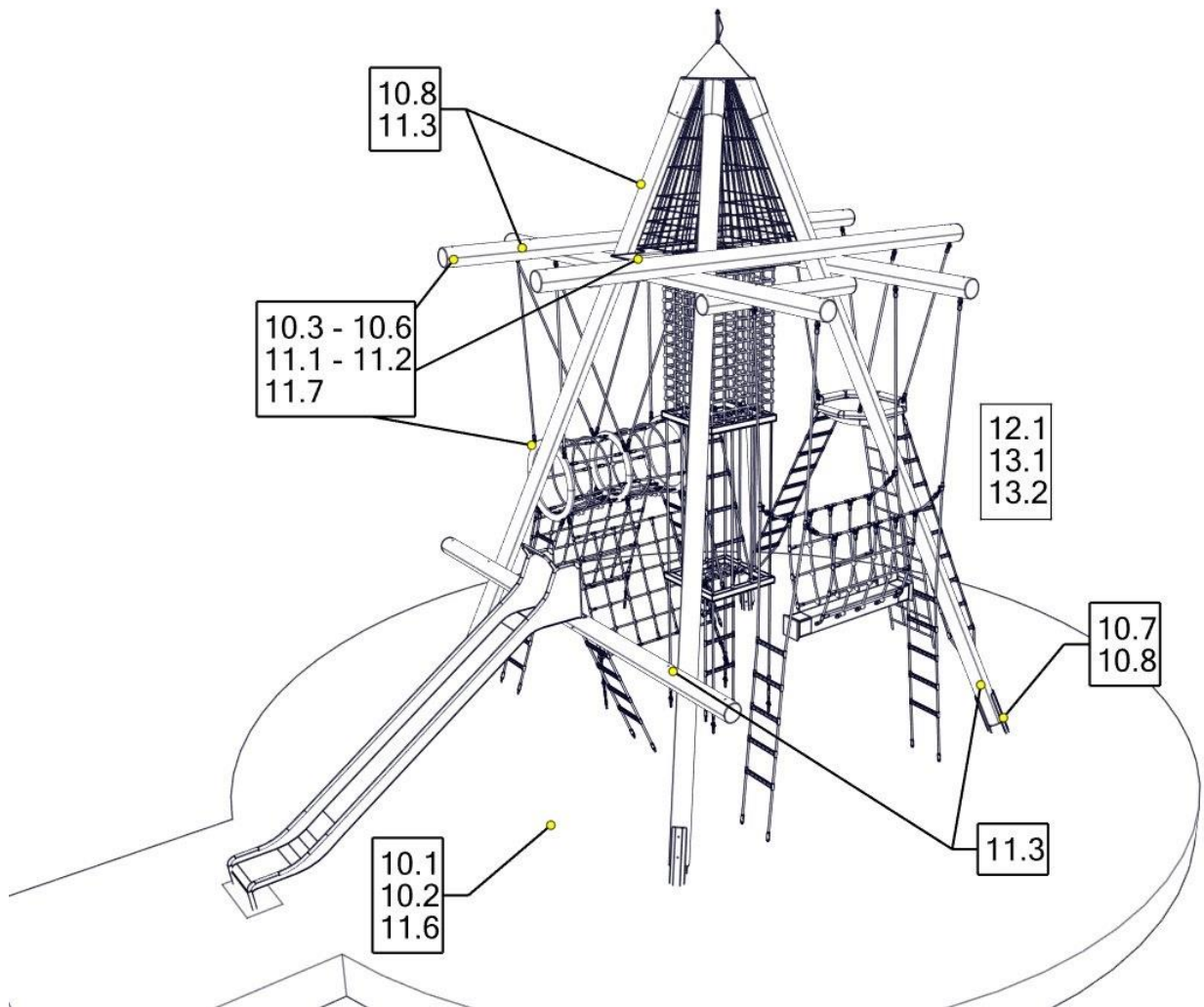
In the event of a fault that compromises safety, quick action must be taken. This may involve repairing it immediately or shutting down and dismantling the equipment.

8.1.4 Faults that compromise function



Faults that compromise function should also be repaired immediately. Such faults lower the value of the equipment to the user and encourage malicious vandalism, which may render the equipment less safe. Any damage should also be repaired immediately.

9 Regular maintenance



10 Monthly maintenance

- 10.4 Check the spaces between the equipment and the ground (clearance and height of fall).**
- 10.4 Check the ground surface of fall protection for hard objects and loose foundations.**
- 10.4 Check all connecting elements and fittings for wear and tear and tighten if necessary. Replace damaged or missing parts.**
- 10.4 Check that moving metal parts (joints, springs, etc.) move smoothly and are not worn. Replace if necessary. It is not necessary to lubricate joints as we only use maintenance-free metal roller bearings.**
- 10.4 Check all attachments such as chains, ropes, nets, etc. for damage and replace if necessary.**
- 10.4 Check rubber parts, sleeves, etc. for wear and tear or damage and replace if necessary.**
- 10.4 If necessary, remove excess padding material from the post footings due to danger of rotting.**
- 10.4 Check the surface of wooden parts for damage caused by the weather or external influences and mould. Repair or replace if necessary.**
- 10.4 Check the surface of plastic and metal parts, e.g. slides, for damage and replace if necessary.**

11 Quarterly maintenance

- 11.4 Detailed inspection of the operation and stability of the equipment paying particular attention to any wear and tear.**
- 11.4 Tighten all forms of attachment.**
- 11.4 Repaint and retreat surfaces.**
- 11.4 Maintenance of fall protection surfaces.**
- 11.4 Lubrication of joints.**
- 11.4 Check height of fall protection material and top up with loose filler if necessary. If the posts are labelled, top up to the mark.**
- 11.4 Retighten all bolts.**

12 Half yearly maintenance

- 12.4 The stability of supporting posts, supports, foundations etc. has to be checked. The safety level of the entire system has to be checked after repairs have been carried out or additional system components have been installed or replaced.



Attention

Annual Maintenance

13 Annual maintenance

- 13.4 Ascertaining that the equipment, foundations and surfaces are safe for operation.
- 13.4 In particular, the equipment should be checked for decay and corrosion. It may be necessary to dig out or excavate certain components in order to do so. Zinc paint should be applied to corroded areas and scratches.



Attention

The equipment must be inspected by someone **with the necessary expertise** in strict compliance with the instructions issued by Huck Seiltechnik GmbH.

A copy of the inspection record should be given to the operator, who must confirm receipt.

14 Maintenance printout

Name of item: Birds Nest Tower "Black Forrest" / Art. No. 4652-21 _____

Location: _____

Customer or operator: _____
(Town, Town council, Kindergarten)

Date of inspection	Inspector	O.K.	Accessible	Barriered	Defects	Repaired by	Date

**Please copy and return once a year after main inspection has been carried out to the manufacturer by Telefax +49(0)6443/ 83 11 79!
Place the confirmation form in the play equipment files.**

15 Hand over document



After the installation of the equipment pass the installation and maintenance documents to the operator. The operator has to receive the hand over documents. The complete filled and signed hand over document should be sent to the supplier.

Art.-No.: 4652-21

Type of item: Birds Nest Tower "Black Forrest"

Serial number: _____

Customer or operator (Town, Town council, Kindergarten, etc.):

Competent person in charge:

Installation company (address):

Responsible assistant (assembler):

Received the complete assembly instructions, maintenance instructions and maintenance printout .

(Signature of operator) (Signature of installation company)
(Stamp)

Date: _____