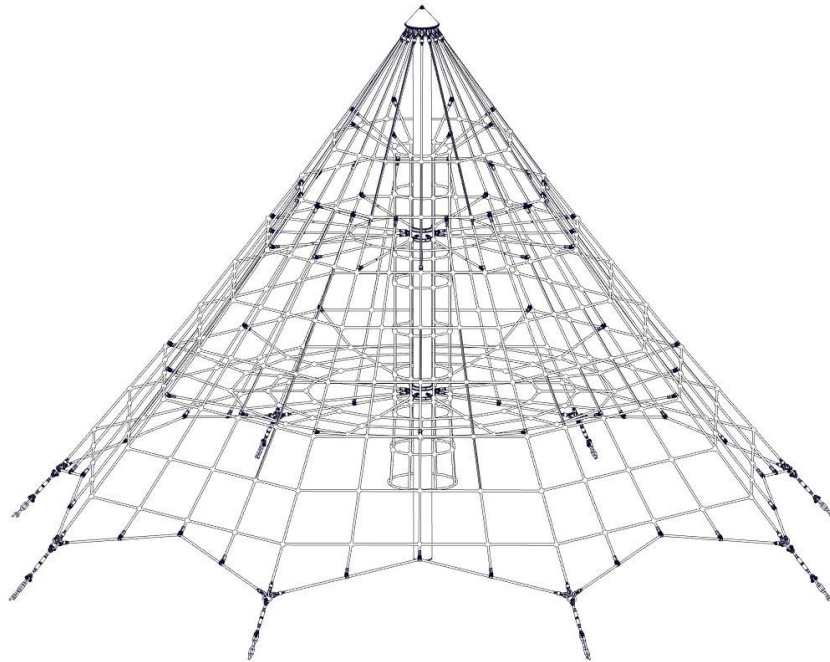

A Instructions for the Assembly of Rope Net Tower 1, Article, No. 4595 Design: Steel Post

Attention! Only use the assembly instruction in the scope delivery for the assembly and maintenance of the respective equipment!



Operator: _____

Location: _____

Revision 0 – 2006-09-27

Erste freigegebene Version

Montageanleitung SP

Revision 11 – 2022-07-06

neue Form der Anleitung FH

Alle Rechte vorbehalten

© Copyright 2006 Huck Seiltechnik GmbH

Table of Contents

A	Instructions for the Assembly of Rope Net Tower 1, Article, No. 4595	
	Design: Steel Post	1
1	Introduction: Installation	4
2	Datasheet Rope Net Tower 1, Art.-No. 4595	5
3	Scope of Delivery, inventory with serial numbers	7
4	Assembly instructions	12
5	Examination after installation	20
B	Maintenance Instructions for the Rope Net Tower 1 Article No. 4595	21
6	Introduction: Maintenance	23
7	General notes on maintenance work	24
8	Maintenance schedule	26
9	Regular maintenance	27
10	Monthly maintenance	28
11	Quarterly maintenance	28
12	semi anual maintenance	28
13	Annual maintenance	29
14	Maintenance log	31
15	Hand over document	33

Index of Tables

Table 3-1: Scope of delivery, inventory with serial numbers, in words	7
Table 3-2: Scope of delivery, inventory with serial numbers, with symbols	8

1 Introduction: Installation

1.1 General

The installation, inspection, maintenance and operation are to be carried out in accordance with the guidelines of EN1176-7.

All components and mounting elements are to be checked, according to the inventory supplied, before the actual construction begins (see Table 3-1 for the complete list).

Any spare parts that may be required can be obtained directly from your supplier.

Please do not hesitate to call us on **01308 425100** if you have any problems during installation or with any other questions.



The complete assembly and maintenance instructions and the maintenance log are to be forwarded unconditionally, after installation, to the operator as written proof (see last page).



All pins and nuts are either hot-dip galvanised or made of high grade steel.

High grade steel has the characteristic of uncontrolled galling during tightening of the nuts. Therefore it is essential to spray the pins and nuts with Teflon or any other similar lubricants.

We hereby confirm that this playing equipment was checked and certified according to the new playing equipment standard EN 1176.

2 Datasheet Rope Net Tower 1, Art.-No. 4595

1. Component zone: Ø 9.50 m
 Safety zone: Ø 11.60 m
 Height of equipment: 6.05 m
 Height of fall: 2.00 m
 Fall protection area: 105 m²

2. Required safety surface:

Nature of soil	Description mm	Minimum layer thickness mm	Maximum height of fall mm
Topsoil grass			<= 1000*
Chipped bark	20 – 80 grain size	300/400	<= 2000/3000
Wood chippings	5 – 30 grain size	300/400	<= 2000/3000
Sand	0.2 – 2 grain size	300/400	<= 2000/3000
Gravel	2 – 8 grain size	300/400	<= 2000/3000
Other ground materials	As recommended by manufacturer		

3. Name and size of the largest component
 Steel post (1 piece); length 7.00 m, Ø 193.7 mm

4. Name and weight of the heaviest component:
 1 steel post; approx. 200 kg

5. Intended age group: 6 years and above

6. **Please note: equipment for cementing**

Concrete: C25/30

The amount of cement required: Approx. 4.20 m³

Depth of foundations/excavations:

1 x 1.20 m long x 1.20 m wide, total depth: 1.20 m incl. 10 cm seeping layer

8 x 0.80 m long x 0.80 m wide, total depth: 1.40 m incl. 10 cm seeping layer

(Concrete upper edge = 50 cm or 70 cm beneath the upper edge of the playing level)



Attention!

Round off edges of concrete foundations!

Important – All sizes of foundations are valid for soil class 3 – 4 (standard soil).

In case of sandy and soft soil we strictly recommend to enlarge the foundation dimensions.

7. The time required for the assembly of the basic equipment with ready-to-use cement: Approx. 5 – 6 hours
Extra hands required: 2 - 3 people.
8. Any spare parts which may be required can be obtained directly from your supplier
9. **We hereby confirm that this playing equipment was checked and certified according to the new playing equipment standard EN 1176.**

3 Scope of Delivery, inventory with serial numbers

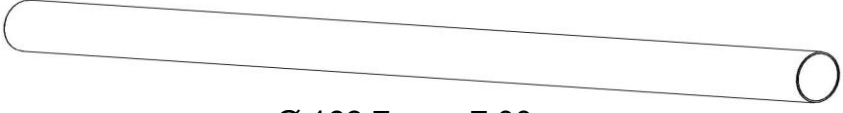
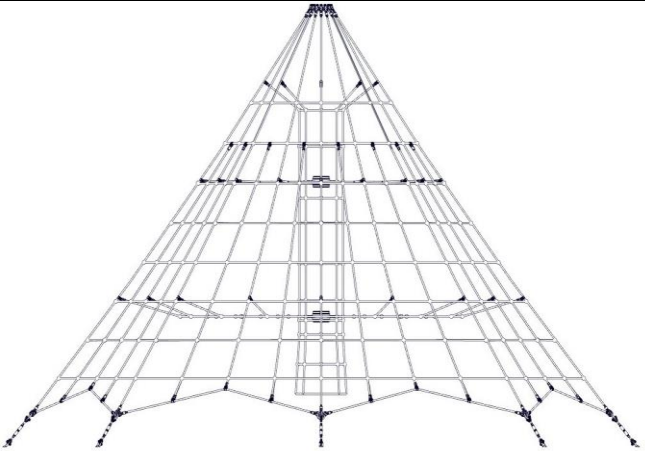






3.1 In words (please notice: piece numbers refer to 1 equipment)

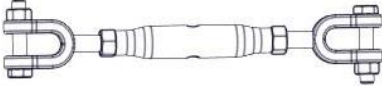

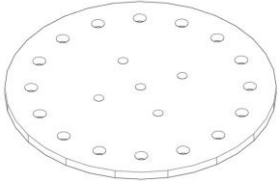
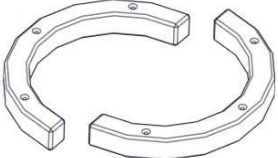
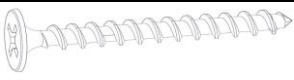

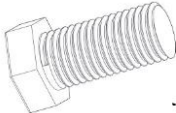
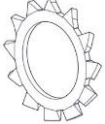
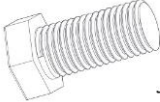
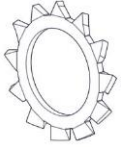
Table 3-1: Scope of delivery, inventory with serial numbers, in words



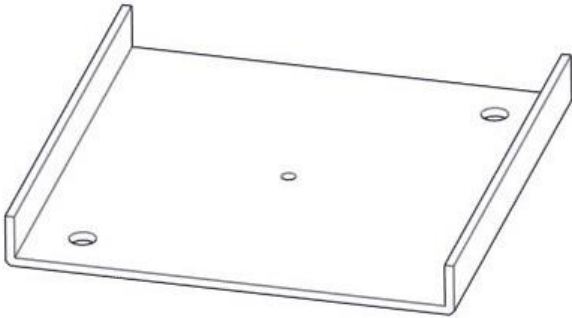
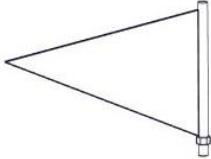

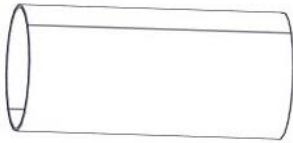
Item	Units	Element / description	Size	Available	Not available
1	1	Steel mast	Ø 193.7 mm 7.00 m lg		
2	1	Netting			
3	1	Dust cover, Dino red			
4	1	Nut	M16		
5	1	washer	for M16		
6	1	Stop nut	M16		
7	1	Cover cap (black)	for M16		
100	8	Turnbuckles	M16 galvanised		
101	8	Anchor chains	2.10 m long		
102	1	Mounting plate	Ø 360 mm		
103	4	Clamping protection rings Dino 1	two-piece		
104	24	Spax screws	4.5 x 50 mm VA		
105	1	Thread bolt	M16 x 460 mm		
106	8	Hexagonal screws	M16 x 30 mm galvanised		
107	8	Toothed washers	M16		
108	12	Hexagonal screws	M12 x 30 galvanised		
109	12	Toothed washers	M12		
110	2	Loctite (small tubes)			
111	4	Plumb lines	10 m long		
112	8	Earth nails with curved shackle M6			
113	1	Steel plate	500 x 500 mm		
114	1	flag			
115	16	Lamellar plug	M16		
115	1	Tube (by ther customer)	~ Ø 250 – 300 mm, 650 mm		


3.2 With symbols

Table 3-2: Scope of delivery, inventory with serial numbers, with symbols

Item	Units	Symbol
1	1	 Ø 193.7 mm, 7.00 m
2	1	
3	1	 Ø 370 mm
4	1	 M16
5	1	 washer for M16
6	1	 Stop nut M16
7	1	 Cover cap for M16
8	1	 Ringschraube M16 für Kran

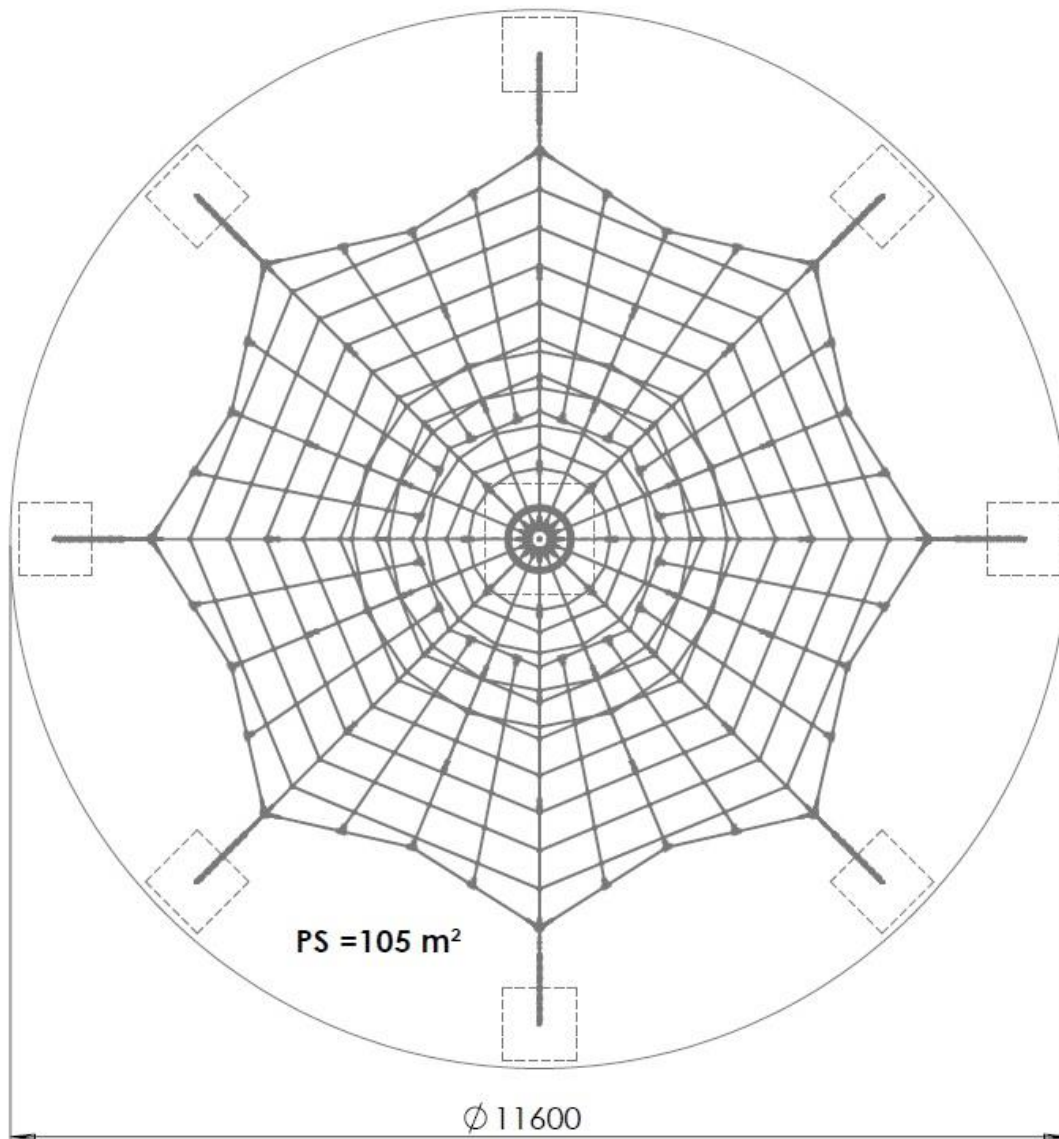
Item	Units	Symbol
100	8	 M16 galvanized
101	8	 2,10 m long
102	1	 Ø 360 mm
103	4	
104	24	 4,5 x 60 mm stainless
105	1	 Thread bolt m16 x 460 mm
106	16	 M16
107	16	 for M16
108	12	 M12 x 30 mm
109	12	 for M12

Item	Units	Symbol
110	2	 <p>Loctite</p>
112	8	 <p>~ 300 mm / curved shackle M8</p>
113	1	 <p>Anchor plate 500 x 500 mm</p>
114	1	 <p>flag</p>
115	1	 <p>Lamellar plug</p>
116	1	 <p>Tube ~ Ø 250 – 300 mm, 650 mm (by ther customer)</p>

	Version: Rope Net Tower 1. Article No. 4595 with net bridge and diagonal ascent net.
A	View.
AB	Setting time should be at least 7-8 days.
ABE	Warning: During the installation with sand subsoil the foundations are to be rounded off above. Radius 100 mm.
AM	Dimension between the axes.
B	Cross pole positioned for fixing the anchor chain.
D	Concrete C25/30 (for foundations).
FU	Foundations.
F	Drop protection.
Gew	Paving stones.
G	Seeping layer.
KNB	Empty pipe (e.g. sewer pipe made from PVC or cement).
ML	Mast length over playing level.
O.K.	Upper edge playing level.
PS	Minimum safety area ~ 154 m ² / Maximum safety area ~ 154 m ² .
	Round off edges of concrete foundations! Important – All sizes of foundations are valid for soil class 3 – 4 (standard soil). In case of sandy and soft soil we strictly recommend to enlarge the foundation dimensions.

see drawings for the details!

4 Assembly instructions

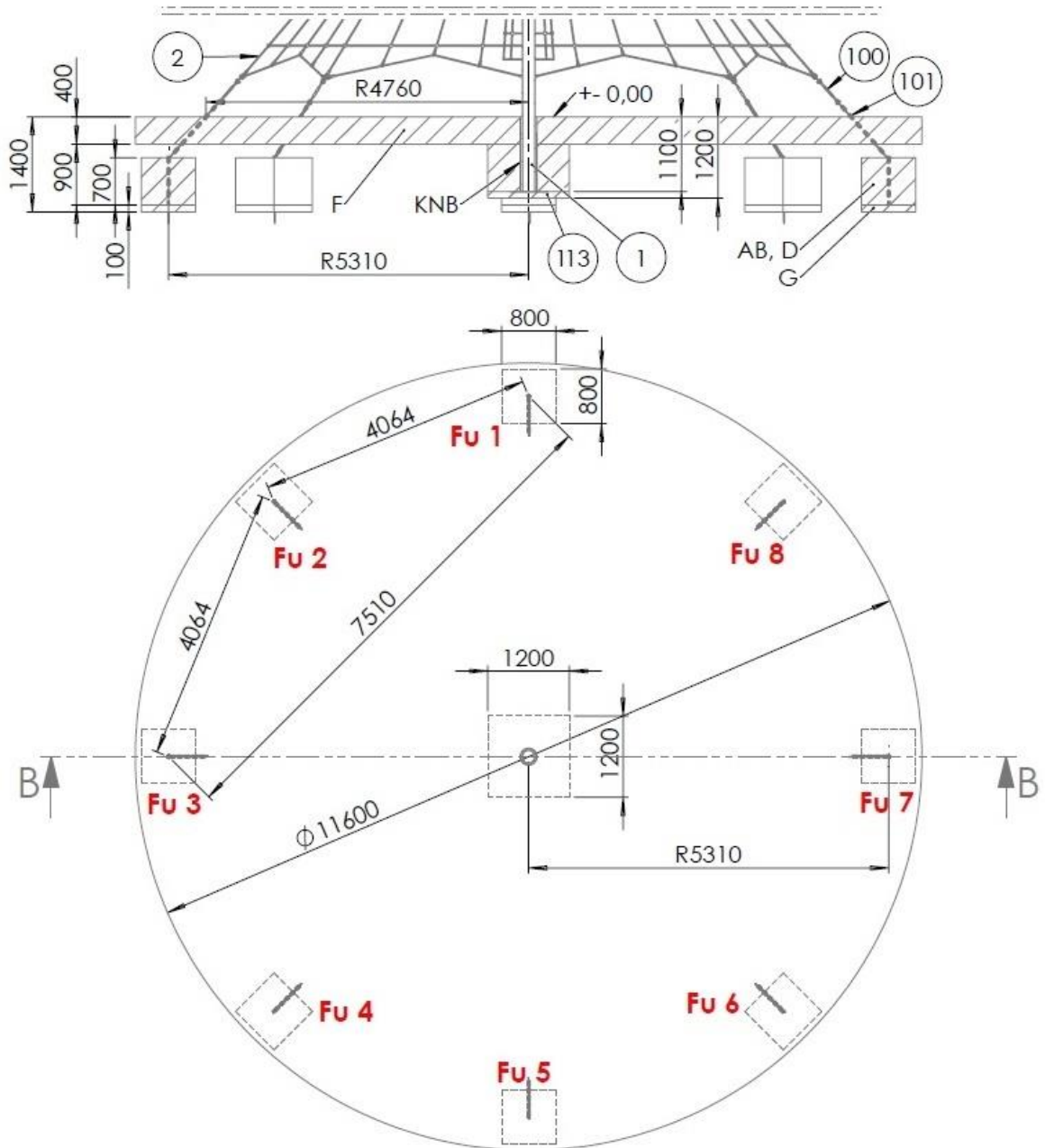


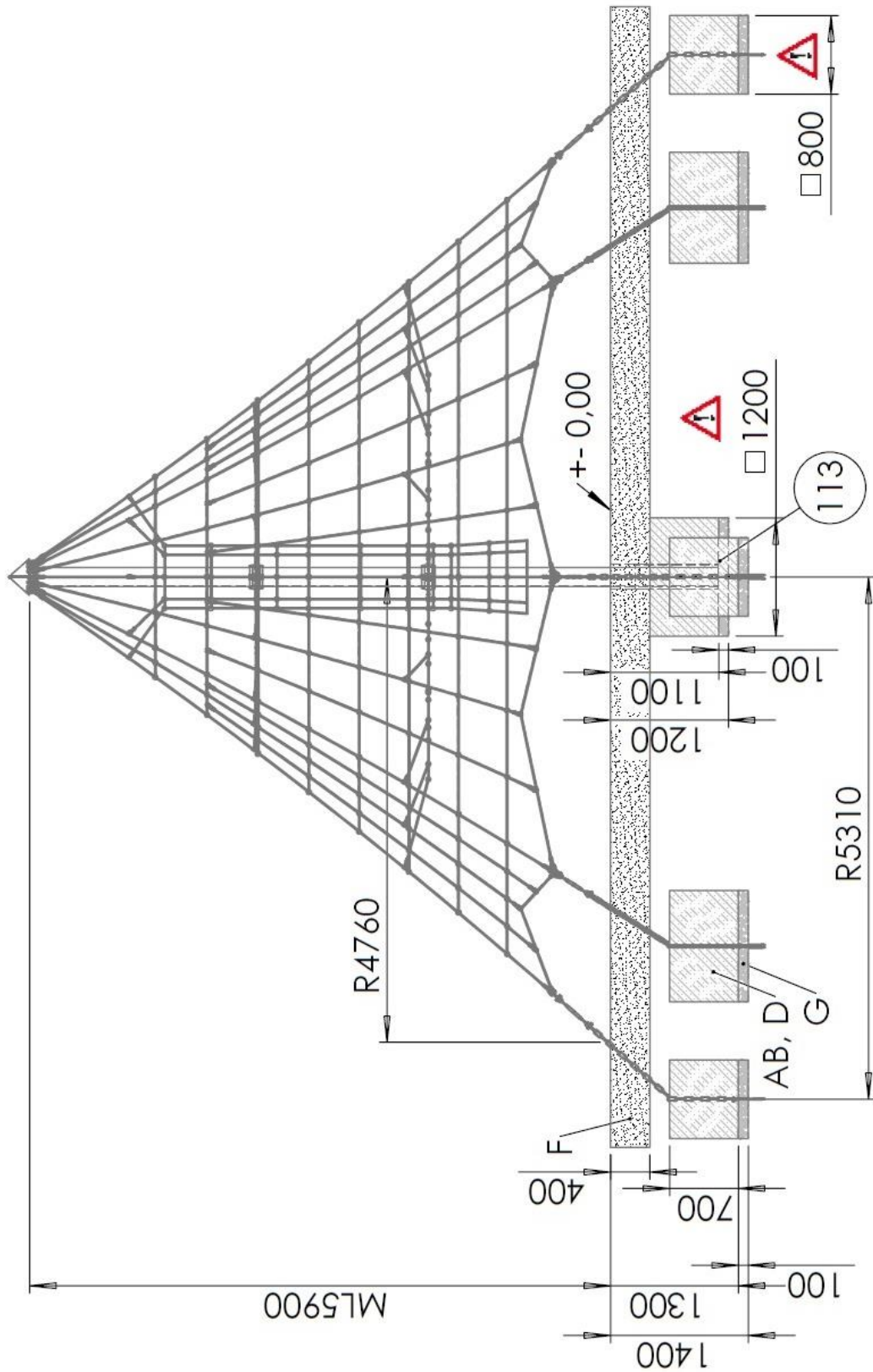
Warning: Do not install a lift in the foundation.

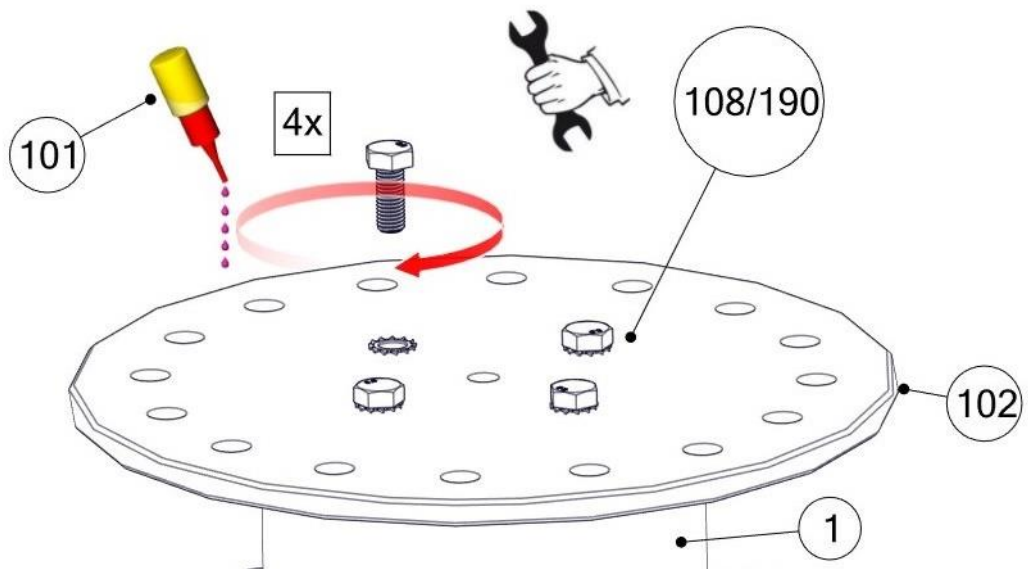
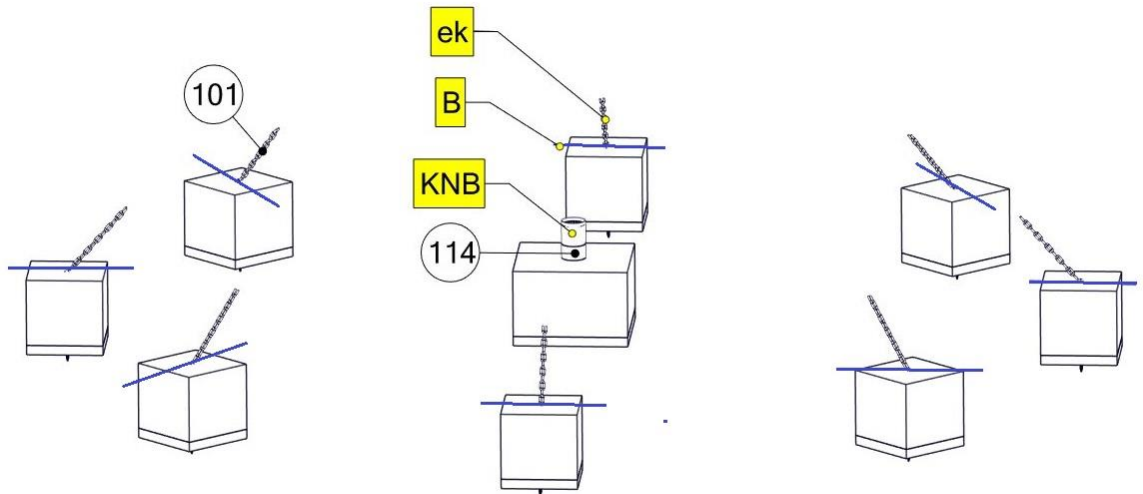
Depth of foundations: 130 cm + compressed cleanliness layer of approx. 10 cm.

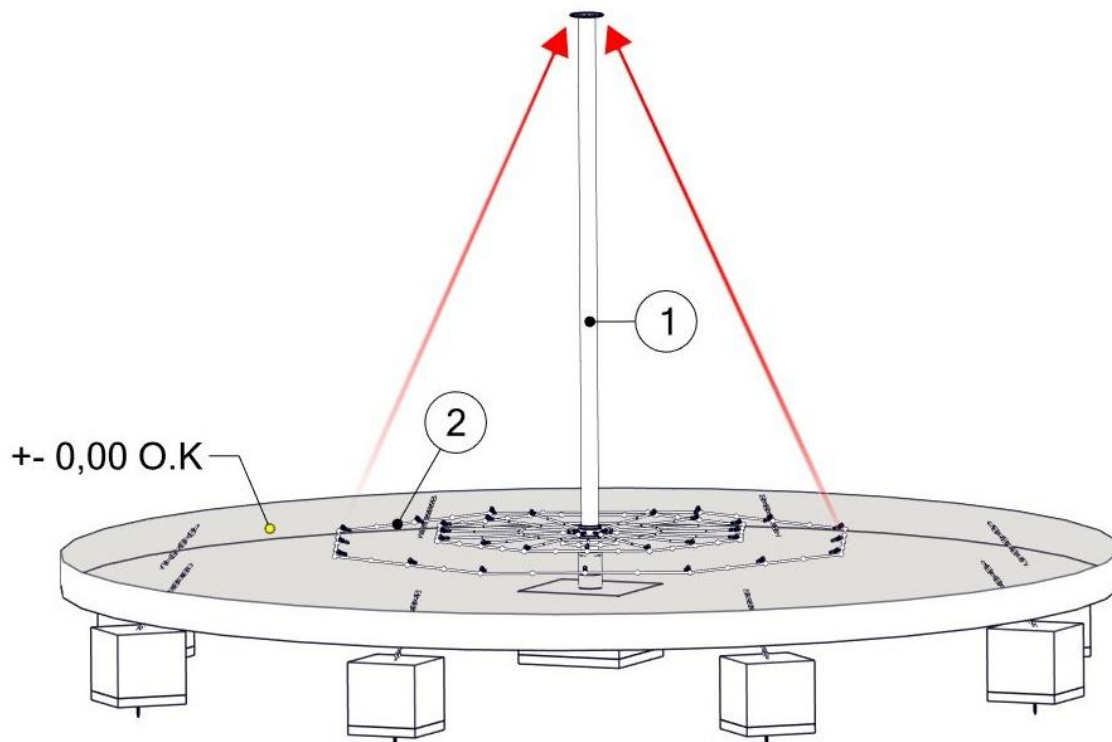
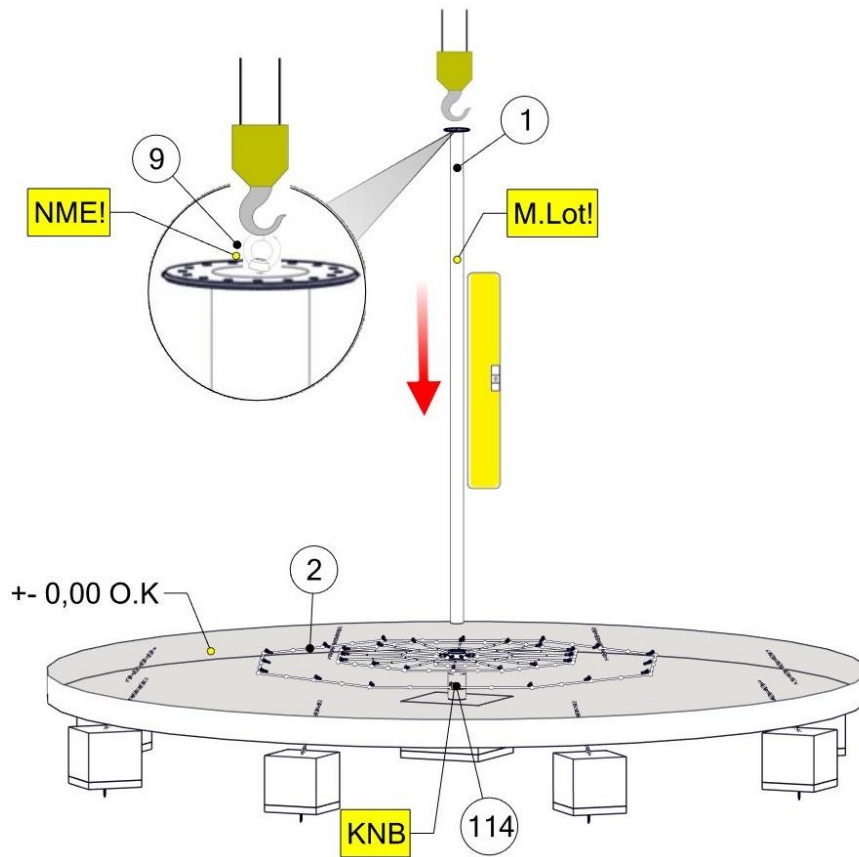
The work space is already included in the dimensions of all the foundations.

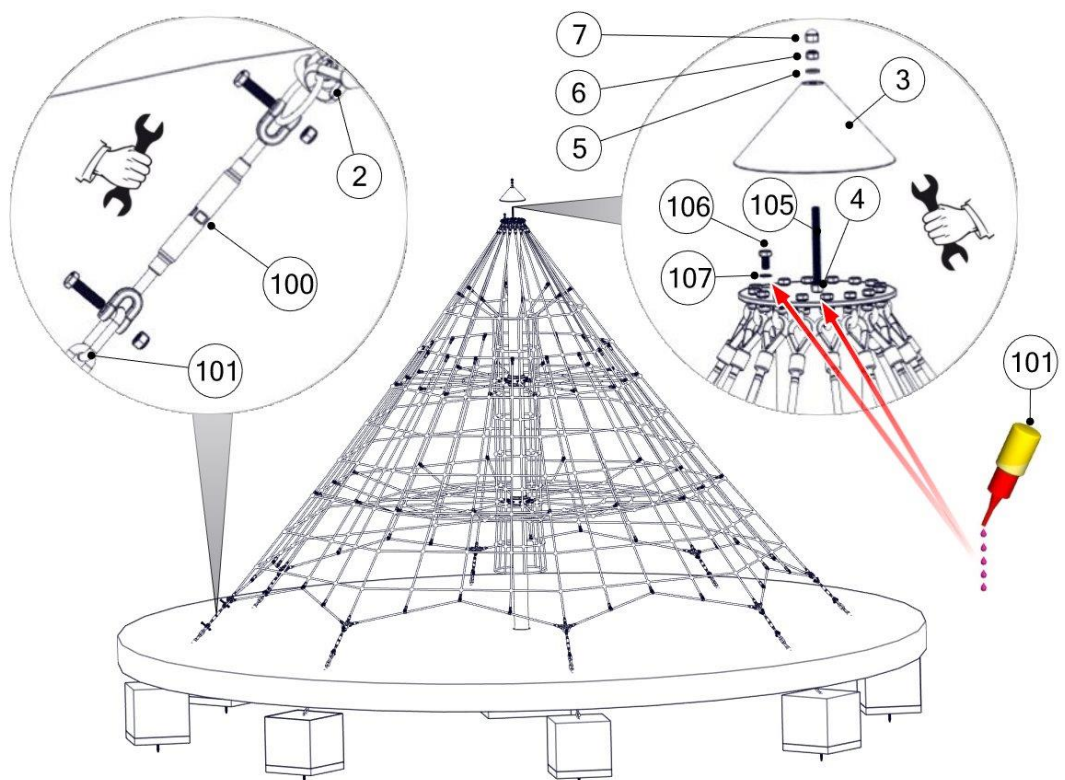
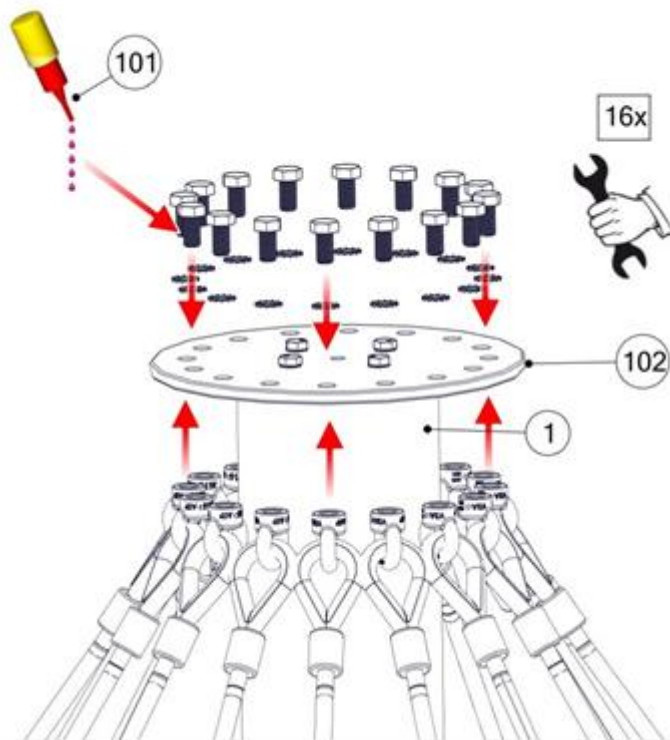
Warning: Bring all foundation soles level with the hose balance.

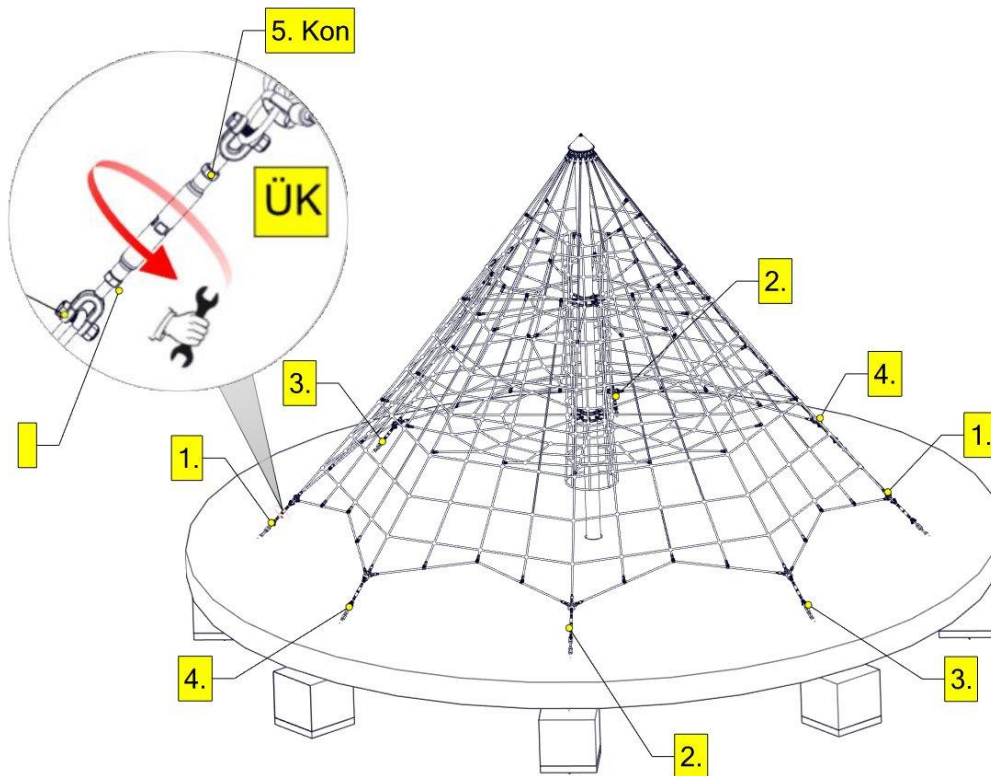
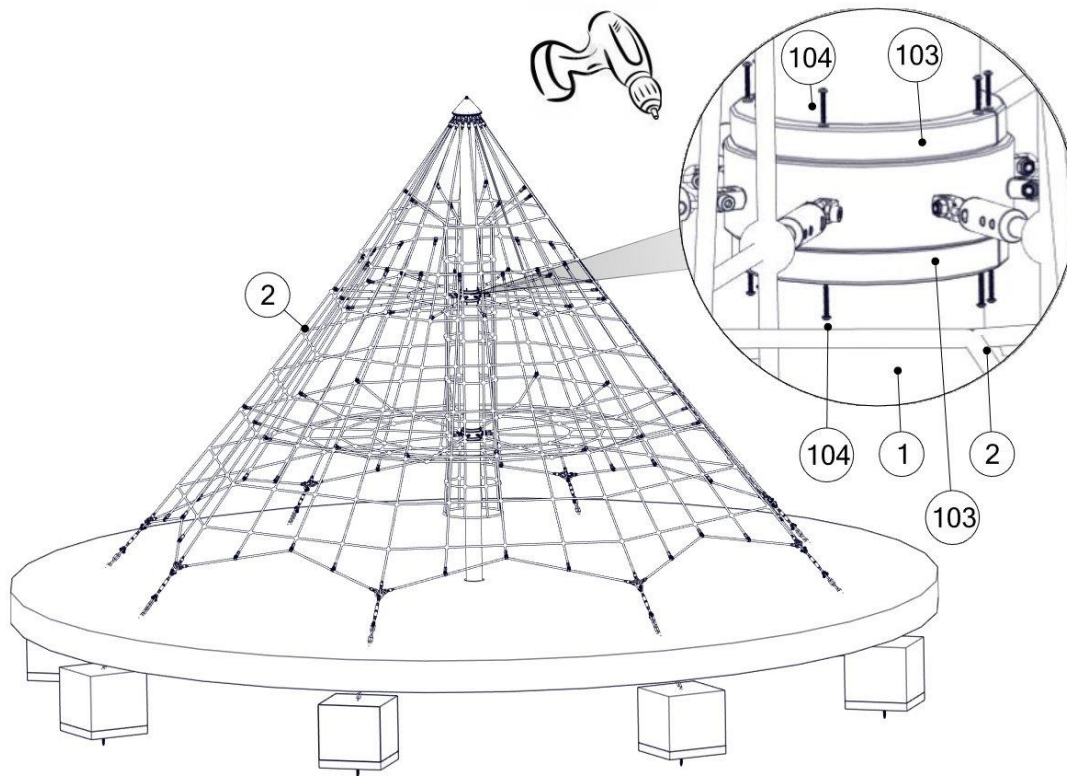


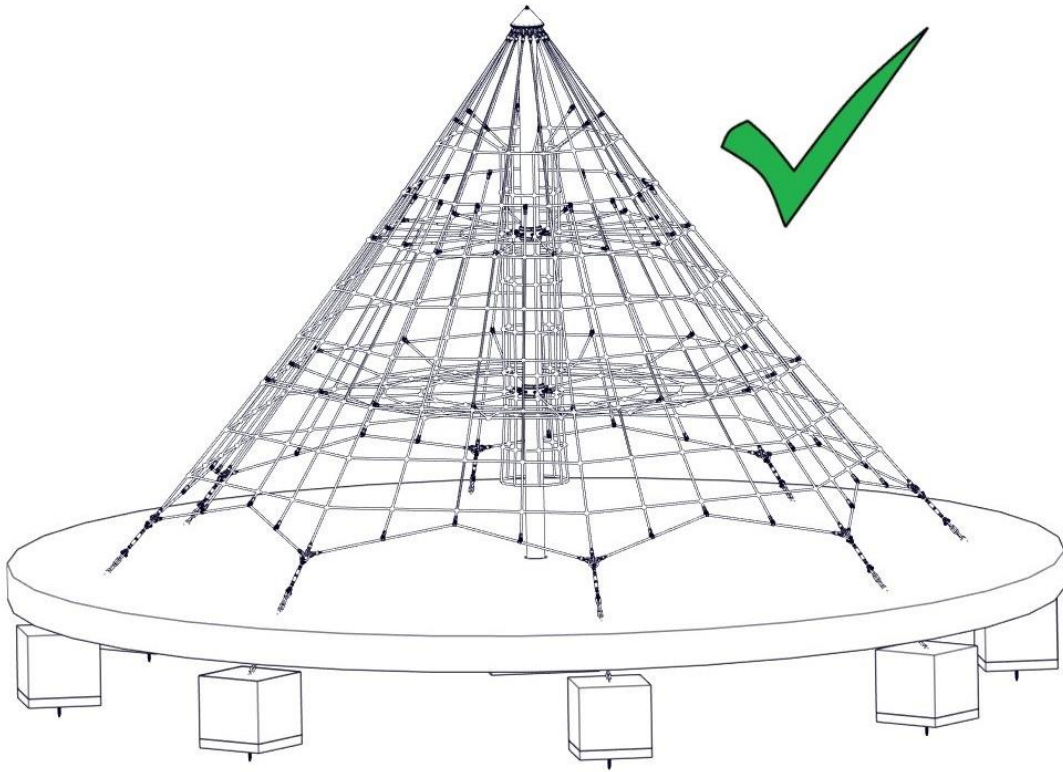












5 Examination after installation



If the equipment is not installed in a secure manner you must ensure that access is closed to the public.

5.1 Marking the fill level

- Marking the equipment in order to indicate the fill level of the drop protection material (and/or of the loose wadding).

5.2 The equipment has not been installed safely if:

- The installation of the equipment is still incomplete.
- The impact-absorbing surface has not yet been installed.
- The guarantee of safety in operation cannot be given by the appropriate maintenance works.

5.3 Removal of all assembly aids

- It should be checked whether all assembly equipment have been removed from the playing area. The playing equipment must not be released in advance.

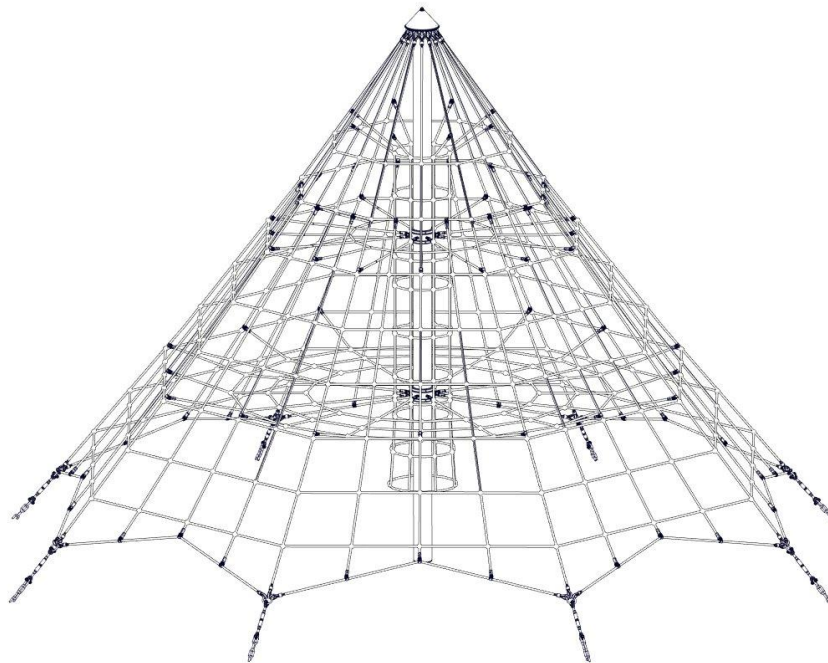
5.4 Details concerning the acceptance of the equipment before the first use

- No special acceptance conditions apply.

5.5 Tighten pins

- A week after the first use of the equipment all the pins should be tightened again. After that, it is done when maintenance is carried out.

B Maintenance Instructions for the Rope Net Tower 1 Article No. 4595



Revision 0 – 2006-09-27

Erste freigegebene Version

Wartungsanleitung SP

Revision 10 – 2022-05-10

neue Form der Anleitung FH

Alle Rechte vorbehalten

© Copyright 2006 Huck Seiltechnik GmbH

6 Introduction: Maintenance

6.1 General

The installation, inspection, maintenance and operation are to be carried out in accordance with the guidelines of EN1176-7.



General Notice: Well maintained playing equipment can never pose a danger for those who play on it. It is a requirement, however, that regular checks follow and repairs are carried out as and when necessary.

Any spare parts which may be required can be obtained directly from your supplier.



Assembly, maintenance and repairs are only to be carried out by **qualified personnel**. A copy of the maintenance log is to be handed over to the operator as a receipt.

These maintenance instructions are based on “EN 1176-1:2017” standard.

7 General notes on maintenance work

7.1 Intervals between maintenance

The interval between maintenance works depends on the average use. We emphasise that the more the playing equipment is used, the more frequent should be the checks and/or maintenance.

7.2 Frequency of inspections

The frequency of inspections depends on the actual use. The influencing factors are: Vandalism, location (e.g. proximity to coast), air pollution, age of the equipment etc.

7.3 Maintenance products and maintenance procedures

All pins and nuts are either hot-dip galvanised or made of high grade steel. High grade steel has the characteristic of uncontrolled galling during tightening of the nuts. Therefore it is essential to spray the pins and nuts with Teflon or any other similar lubricant.

7.4 Replacement parts

All spare parts must conform to the manufacturer's specifications.

7.5 Identification of replacement parts

All replacement parts are listed in the inventory. The inventory can be found in Chapter 3.

7.6 Special treatment for the disposal of individual components

No special treatment for the disposal of individual components is necessary.

7.7 Special measures in the break-in period

Within 2 weeks after assembly, all screw connections are to be examined for firmness and tightened if necessary.

7.8 Discharge openings

All discharge openings are to be kept clear.

7.9 Maintenance of the drop protection floors

The drop protection floors must be regularly maintained. Especially the level of loose wadding must be maintained and refilled if necessary.

7.10 Established faults



Any detected fault must be rectified immediately. In case of serious defects in the equipment which could prove hazardous, it is to be closed to the public immediately.

7.11 Loose screws



Loose screws are always a risk to quality and safety. Therefore loose screws should always be tightened and the absence of screws be monitored (e.g. keep an eye out for visible holes).

7.12 Shutting down the playing equipment

The playing equipment is to be shut down in the case of: Incomplete installation, dismantling, maintenance and repair work as well as when there are faults with the equipment.

7.13 Guarantee

We give a guarantee for the steel posts and post shoes only if regular maintenance is carried out and this is recorded in writing. The first maintenance check takes place after 3 years; the steel posts up to the concrete foundations must be opened up and checked for corrosion. Places of corrosion and scratches are to be painted with zinc-based paint.

8 Maintenance schedule

8.1 Special notes

8.1.1 Intervals between maintenance

It is strongly recommended that the checks and maintenance work is carried out in the periods indicated before using the equipment. Damage caused by the weather or extensive wear and tear can all occur, which can in turn present a safety risk and loss of function.

8.1.2 Interval between maintenance with heavy use

We emphasize that with heavy use of the playing equipment, increased checks and/or maintenance are to be made.

8.1.3 Faults which impair safety



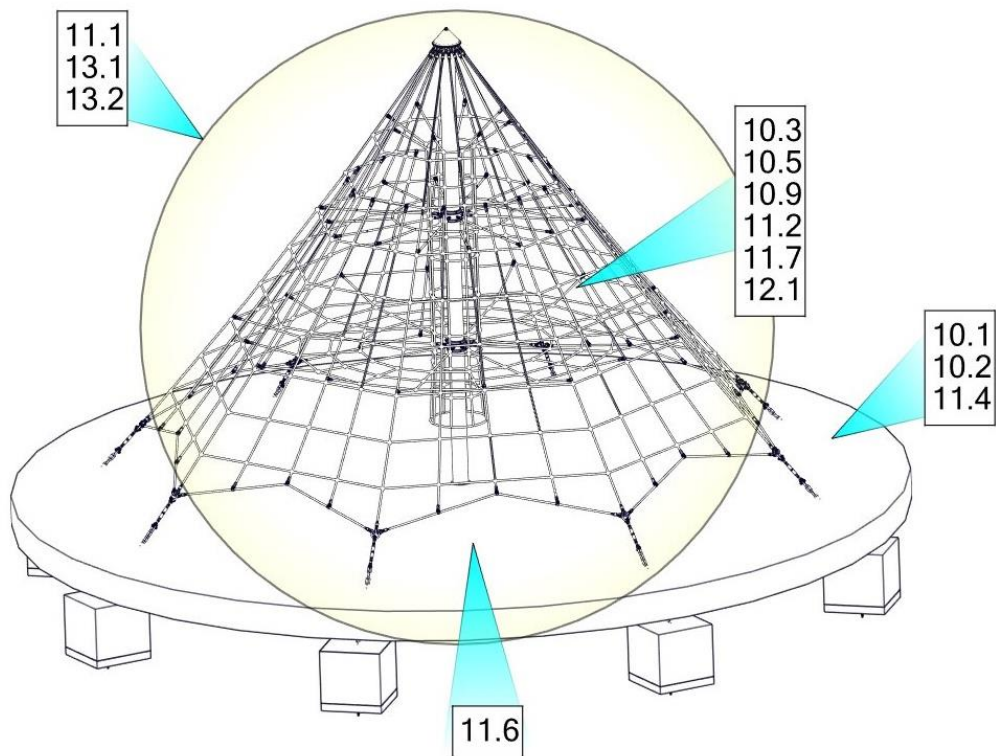
Faults which impair safety must be rectified immediately. It can be done by immediate repair or by dismantling or shutting down of the equipment.

8.1.4 Faults which impair function



In addition, faults which impair function should be repaired immediately. Such faults reduce the playing value of the equipment and stimulate extensive damage which could possibly result in a safety risk. In addition the damage should be repaired immediately.

9 Regular maintenance



10 Monthly maintenance

- 10.1 Check the spaces between the equipment and the ground (clearance and height of fall).
- 10.2 Check the ground surface in the area with fall protection for hard objects and loose foundations.
- 10.3 Check all connecting elements and fittings for wear and tear and tighten if necessary. Replace damaged or missing parts.
- 10.4 Check that moving metal parts (joints, springs, etc.) move smoothly and are not worn. Replace if necessary. It is not necessary to lubricate joints as we only use maintenance-free metal roller bearings.
- 10.5 Check all attachments such as chains, ropes, nets, etc. for damage and replace if necessary.
- 10.6 Check rubber parts, sleeves, etc. for wear and tear or damage and replace if necessary.
- 10.7 If necessary, remove excess padding material from the post footings due to danger of rotting.
- 10.8 Check the surface of wooden parts for damage caused by the weather or external influences and mould. Repair or replace if necessary.
- 10.9 Check the surface of plastic and metal parts, e.g. slides, for damage and replace if necessary.

11 Quaterly maintenance

- 11.1 Detailed inspection of the operation and stability of the equipment paying particular attention to any wear and tear.
- 11.2 Tighten all forms of attachment.
- 11.3 Repaint and retreat surfaces.
- 11.4 Maintenance of fall protection surfaces.
- 11.5 Lubrication of joints.
- 11.6 Check the height of the fall and top up with loose filler if necessary. If the posts are labelled, top up as far as the mark.
- 11.7 Retighten all bolts
-

12 semi anual maintenance

- 12.1 Stability (check posts, bracing, foundations, etc.).
- Ascertaining whether there are any changes in equipment safety as a result of repairs that have been carried out or components that have been added or replaced.



Annual Maintenance

13 Annual maintenance

- 13.1 Ascertaining that the equipment, foundations and surfaces are safe for operation.
- 13.2 In particular, the equipment should be checked for decay and corrosion. It may be necessary to dig out or excavate certain components in order to do so. Zinc paint should be applied to corroded areas and scratches.



The inspection of the equipment must only be carried out by qualified personnel as per the instructions given by Huck Seiltechnik GmbH and any fault established must be logged in writing.

A copy of the examination and maintenance log is to be given to the operator as a receipt..

-

14 Maintenance log

Equipment name: Rope Net Tower 1 / Article No. 4595

Location: _____

Customer or operator: _____
(Town, local authority, nursery school)

Day of the inspection	Evaluator	Status	Cannot be played on	Closed down	Faults	Faults repaired by	Date

Every year, after the major inspection, please make a copy and fax it to the manufacturer 01308 425100.
The confirmation form is contained within the file on the playing equipment.

15 Hand over document



After the erection of the equipment is completed, the installation and maintenance documents must be given to the operator. The hand-over of the documents is to be acknowledged. The entire hand-over document duly filled in and signed is then sent back to the supplier.

Article No. 4595

Type of item: Rope Net Tower 1

Serial number: _____

Customers or operators (town, local authority, nursery school, etc.):

Person-in-charge:

Assembly Company (address):

Designated employee (assembler):

Complete assembly instructions, maintenance instructions and maintenance log received in full.

(Signature of operator)
(Stamp)

(Signature of Installation Company)

Date: _____