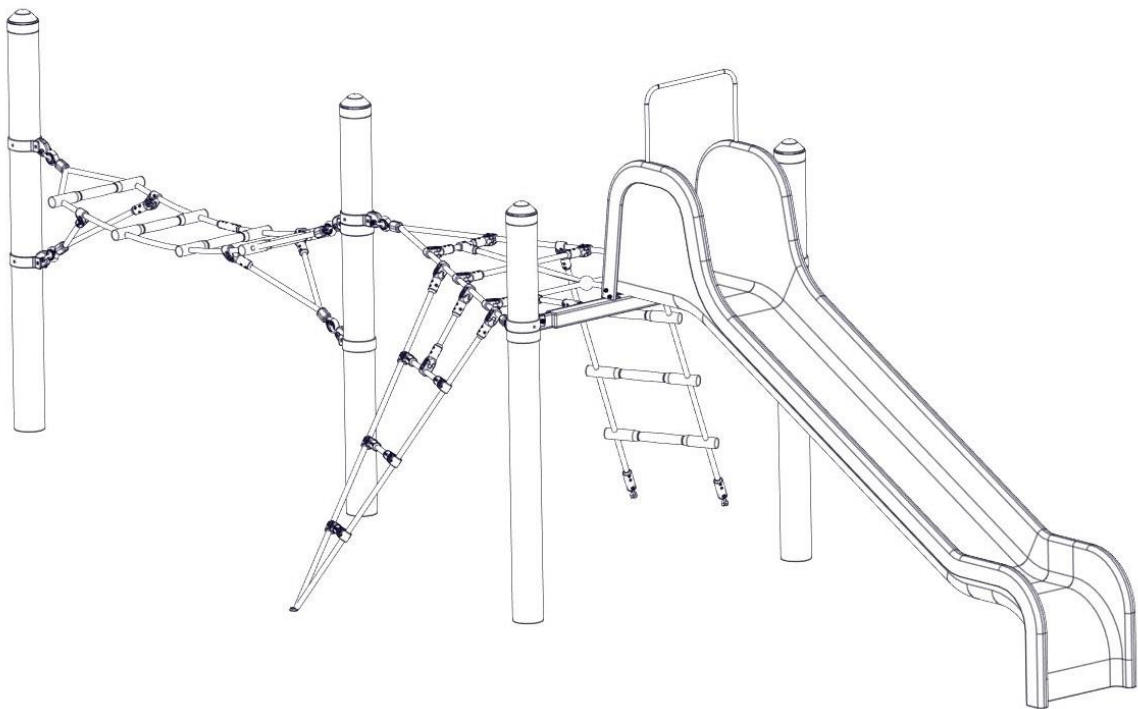


A Assembly instruction

Gnome Forest “Rabenscheid” Art. 4591-20

(Version: Steel posts, ø 101,6 mm to be set in concrete)

Attention! Only use the assembly instructions included in the scope of delivery for the assembly, installation and maintenance of the respective equipment!



Operator: _____

Location: _____

Revision history

Revision 0 – 2005-02-15

The first allowed version

Assembly instruction

Revision 12 – 2022-06-07

jetzt mit Kettenadapter FH

Alle Rechte vorbehalten

© Copyright 2004 Huck Seiltechnik GmbH

Contents

| | | |
|----------|---|-----------|
| A | Assembly instruction Gnome Forest “Rabenscheid” Art. 4591-20 (Version: Steel posts, ø 102 mm to be set in concrete) | 1 |
| 1 | Introduction Assembling | 5 |
| 2 | Datasheet Gnome Forest “Rabenscheid”, No. 4591-20 | 6 |
| 3 | Delivery contents (parts list with part numbers)..... | 8 |
| 4 | Erection instructions | 13 |
| 5 | Post installation checks | 20 |
| B | Maintenance instruction Gnome Forest “Rabenscheid” Art. 4591-20 (Version: Steel posts, ø 102 mm to be set into concrete) | 21 |
| 6 | Introduction Maintenance..... | 23 |
| 7 | General maintenance information | 24 |
| 8 | Specific maintenance advice | 25 |
| 9 | Maintenance timetable..... | 26 |
| 10 | Monthly maintenance | 27 |
| 11 | Quarterly maintenance | 27 |
| 12 | Annual maintenance..... | 28 |
| 13 | Maintenance printout..... | 29 |
| 14 | Hand over document | 31 |

List of Tables

| | |
|---|---|
| Table 3-1: Delivery contents, in words | 8 |
| Table 3-2: Delivery contents, in symbols..... | 9 |

1 Introduction Assembling

1.1 General information

This equipment should be installed, inspected, maintained and operated in accordance with EN1176-7 guidelines.

Before installation work commences, please check that you have all of the equipment and fixation components in the parts list provided (see Tables 3-1 and 3-2).

Any spare parts that may be required can be obtained directly from your supplier.

Please do not hesitate to call us on **01308 425100** if you have any problems during installation or with any other questions.



Attention

Following installation, complete assembly instructions, maintenance instructions and a maintenance record must be sent to the operator who must confirm receipt in writing. See the last page of this document.



Attention

All nuts and bolts are hot-dip galvanised or stainless steel. One of the characteristics of stainless steel is that uncontrolled cold welding may occur when the nuts are tightened. To prevent this, it is necessary to spray the nuts and bolts with Teflon spray or another similar lubricant.

We hereby confirm that this play equipment has been tested and certified in accordance with the play equipment standard EN 1176.

2 Datasheet Gnome Forest “Rabenscheid”, No. 4591-20

1. Component zone: 5350 x 1975 mm
safety zone: 8200 x 5200 mm
Height of equipment: 1800 mm
Height of Fall: 1000 mm
Fall protection area: 29,50 m²

2. Required safety surface:

| Surface material | Description mm | Minimum thickness of layer mm | Maximum height of fall mm |
|------------------------|--------------------------------|-------------------------------|--------------------------------|
| Lawn / topsoil | - | - | ≤ 1000 |
| Bark mulch | 20 – 80 Particle size | 300 | ≤ 2000 |
| | | 400 | ≤ 3000 |
| Wood chippings | 5 – 30 Particle size | 300 | ≤ 2000 |
| | | 400 | ≤ 3000 |
| Sand | 0.25 – 2 grain size | 300 | ≤ 2000 |
| | | 400 | ≤ 3000 |
| Gravel | 0,25 – 8 grain size | 300 | ≤ 2000 |
| | | 400 | ≤ 3000 |
| Other ground materials | As recommended by manufacturer | | Critical drop height as tested |

Sand and gravel must be well rounded to remove most of the silty or clayey particles. Washed sand or gravel is considered to be alluvial and free from silty or clayey particles. With gravel this is generally described as "pearl gravel". Degree of non-uniformity D60/D10 < 3.0. The grain size can be determined by using a sieve method.

3. Name and overall dimension of the largest component
3 steel posts; length 2.40 m, ø 102 mm
4. Name and weight of the heaviest component:
1 pallet steel posts (3 pieces) 57 kg
5. Intended age group: 3 years and over
6. **Please note that this equipment is set in concrete.**
Concrete: C25/30
Required concrete: 0.75 m³ (1.00 m³)
Foundations/area to be excavated:
(top edge of concrete = 40 cm below ground level)
4x 800 x 800 x 600 mm / 4x 800 x 800 x 1100 mm (incl. 100 mm drainage layer)
1x 400 x 700 x 250 mm / 1x 400 x 700 x 700 mm (incl. 100 mm drainage layer)

7.



Round off foundation edges (min.R = 100 mm)! Sizes of foundations are designed for soils class“4-5” (natural ground).
Soil class 4: soft to medium plasticity, interleave bound, with minor portion of stone (portion < 30% with bigger diameter of 63 mm grain size)

Soil class 5: ground with soil class 3 and 4 with big portion of stones (portion > 30% with bigger diameter of 63 mm grain size)
In case of sandy and soft soils, the surface measure of foundations have to be enlarged for about 50%!

8. Assembly time, once foundations complete: 2 – 3 hours
Required assistance: 1 - 2 people.
9. Any spare parts which may be required can be obtained directly from your supplier
10. **We hereby confirm that this item of play equipment has been tested and certified in accordance with the play equipment standard EN 1176.**

3 Delivery contents (parts list with part numbers)

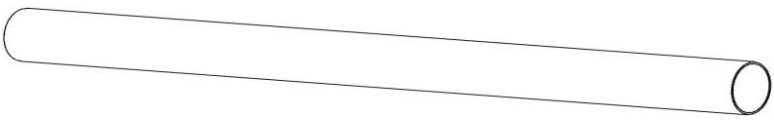
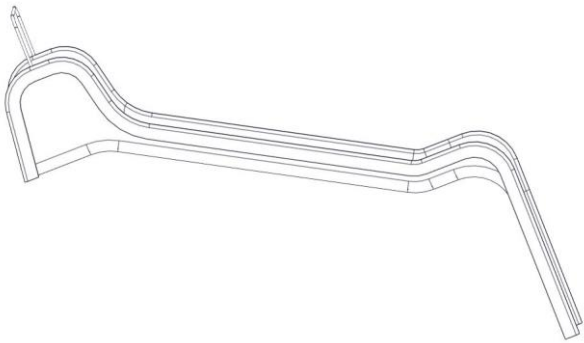
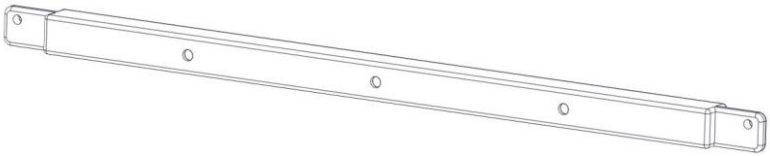
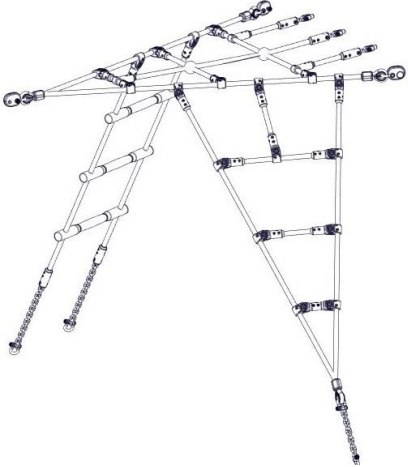
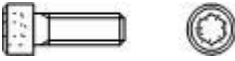
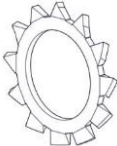
3.1 In words (please notice: piece numbers refer to 1 equipment)

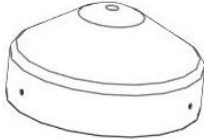

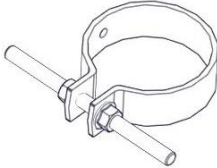

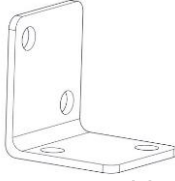

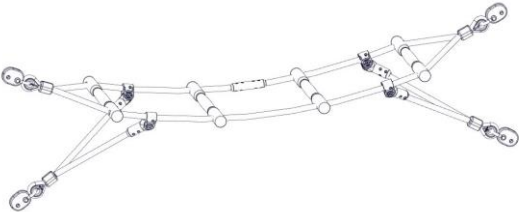
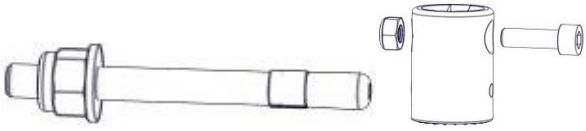
Table 3-1: Delivery contents, in words



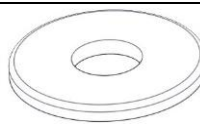


| Pos. | Quantity | Element / Description | Size | O.K. | Missing |
|------|----------|---|------------------------|------|---------|
| 1 | 4 | Steel posts | Ø 102 mm, 2.40m lg. | | |
| 2 | 1 | Green slide | Platform height 1,00 m | | |
| 3 | 1 | Cross beam | 1,09 m long | | |
| 4 | 1 | Net (Play component) | | | |
| 5 | 3 | Socket screw | M10x65 mm | | |
| 5a | 3 | Toothed washers | for M10 | | |
| 100 | 4 | Red cover caps | for Ø 102 mm | | |
| 101 | 9 | Pipe clips each with carriage bolts and stop nuts | for Ø 102 mm | | |
| 102 | 4 | Pipe clips with threaded bolts and 2 hexagonal nuts | | | |
| 103 | 12 | Self-tapping screws | 5.5 x 25 mm | | |
| 104 | 2 | Sheet steel bracket for slide | | | |
| 105 | 2 | Self-tapping screws (for slide/cross beam) | 6.3 x 25 mm | | |
| 106 | 1 | Hanging mat/Ladder component | | | |
| 107 | 3 | Fix anchor + Chain adapter | M12 | | |
| 110 | 4 | Allen screw | M6 x 16 mm | | |
| 111 | 4 | washer | DIN 9021 for M6 | | |
| 112 | 4 | washer | DIN 9021 for M6 | | |
| 113 | 1 | stopnut | M6 | | |
| 114 | | Loctite | | | |



3.2 In symbols

Table 3-2: Delivery contents, in symbols

| Pos. | Quantity | Symbol |
|------|----------|---|
| 1 | 4 |  <p>Ø 101,6 mm, 2,40 m long</p> |
| 2 | 1 |  <p>Platform height 1,00 m</p> |
| 3 | 1 |  <p>1,09 m long</p> |
| 4 | 1 |  |
| 5 | 3 |  <p>M10 x 65 mm</p> |
| 5a | 3 |  <p>Toothed washers for M10</p> |

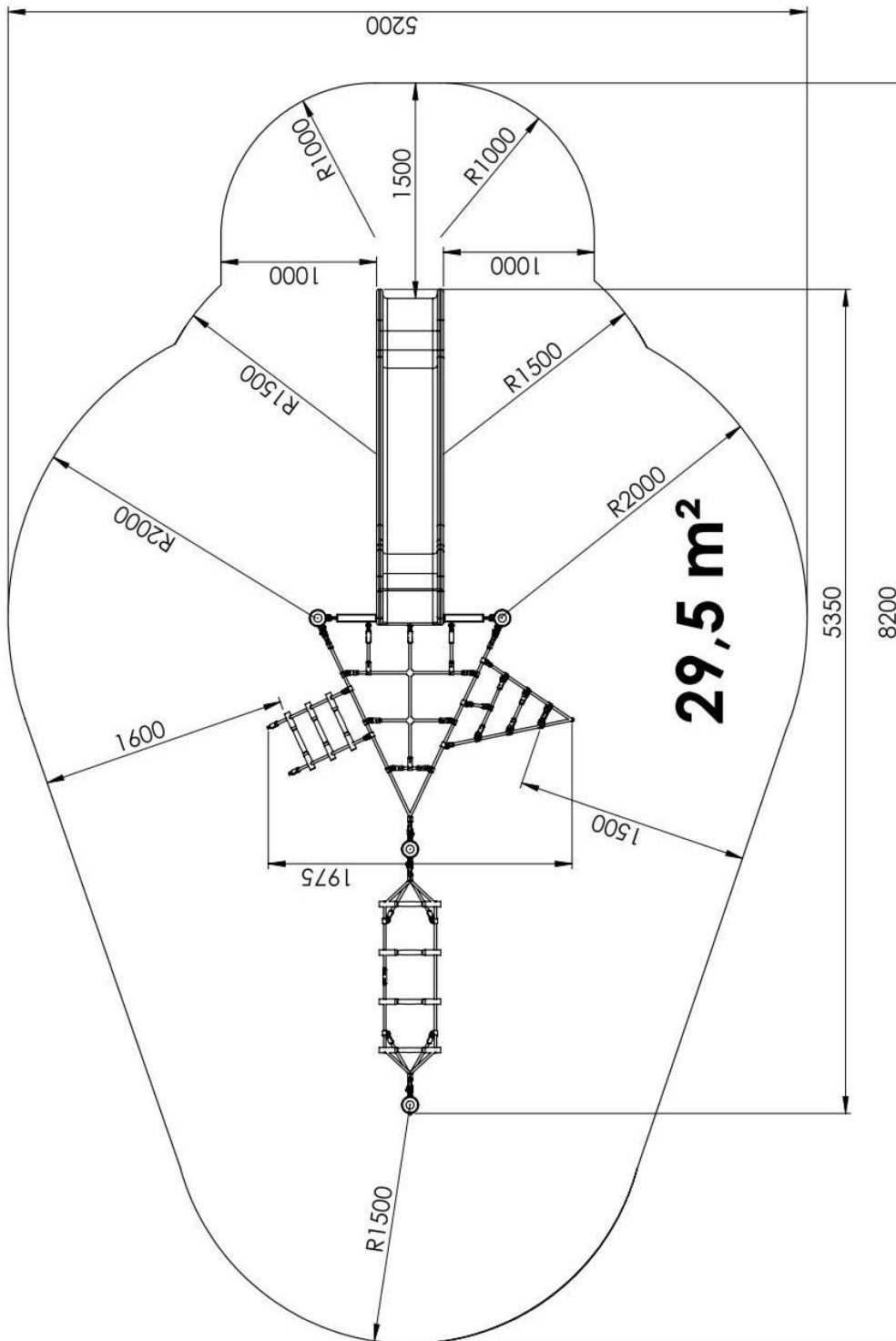
| Pos. | Quantity | Symbol |
|------|----------|--|
| 100 | 4 |  for 101,6 mm |
| 101 | 9 |  for 101,6 mm |
| 102 | 4 |  for 101,6 mm |
| 103 | 12 |  5,5 x 25 mm |
| 104 | 2 |  pre-assembled |
| 105 | 2 |  4 x 25 mm |
| 106 | 1 |  |
| 107 | 3 |  Fix anchor + Chain adapter M12 |

| Pos. | Quantity | Symbol |
|------|----------|---|
| 110 | 4 |  M6 x 16 mm |
| 111 | 4 |  for M6 pre-assembled |
| 112 | 4 |  for M6 DIN 9021 pre-assembled |
| 113 | 4 |  M6 |
| 114 | |  Loctite |

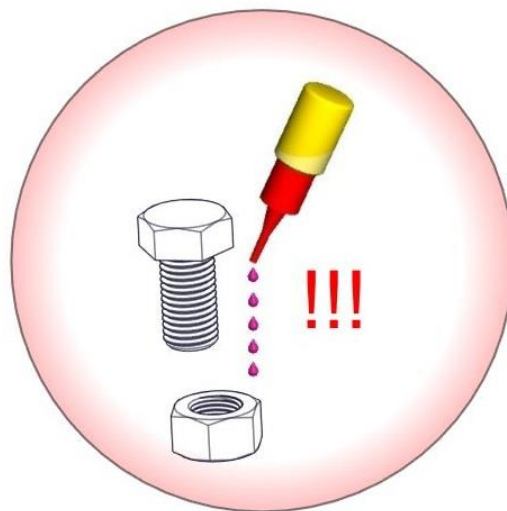
| | |
|---|--|
| | Version: Gnome forest slide |
| AB | the legally prescribed setting times must be observed |
| D | Concrete C25/30 |
| G | Drainage layer 10 or 5cm thick |
| PS | Required space incl. safety area |
| <u>VO</u> | <u>pre-assembled!</u> |
| <u>H. 1</u> | <p>1.) The two sheet metal angles are on the traverse already pre-assembled!</p> <p>2.) The fastening parts cylinder head screws (item 110), Washers (pos. 111 and 112) and stop nuts (Item 113) are pre-assembled on the slide.</p> |
| <u>H. 2</u> | The pre-assembled fasteners: Cylinder head screws (item 110), Washers (pos. 111 and 112) and stop nuts (Item 113) are to be detached from the slide, the Put the slide on the crossbar, exactly align and reassemble. |
| <u>H. 3</u> | The pre-assembled ladder and that 3 - corner ascent network on the horizontal network (game part -Pos. 4) after complete assembly of all power supplies fully assembled with the Torx screws (item 105). |
| <u>H. 4</u> | The pre-assembled hammock (ladder element - Pos. 106) after the complete assembly with the Torx screws (item 105) fully assembled. |
|  Achtung  | <p>Concrete top edges rounded (R = 100 mm). Important!</p> <p>Foundation sizes apply to normal floor classes 3 - 4!</p> <p>In the case of sandy, soft soils, dimension accordingly larger!</p> |

See drawings

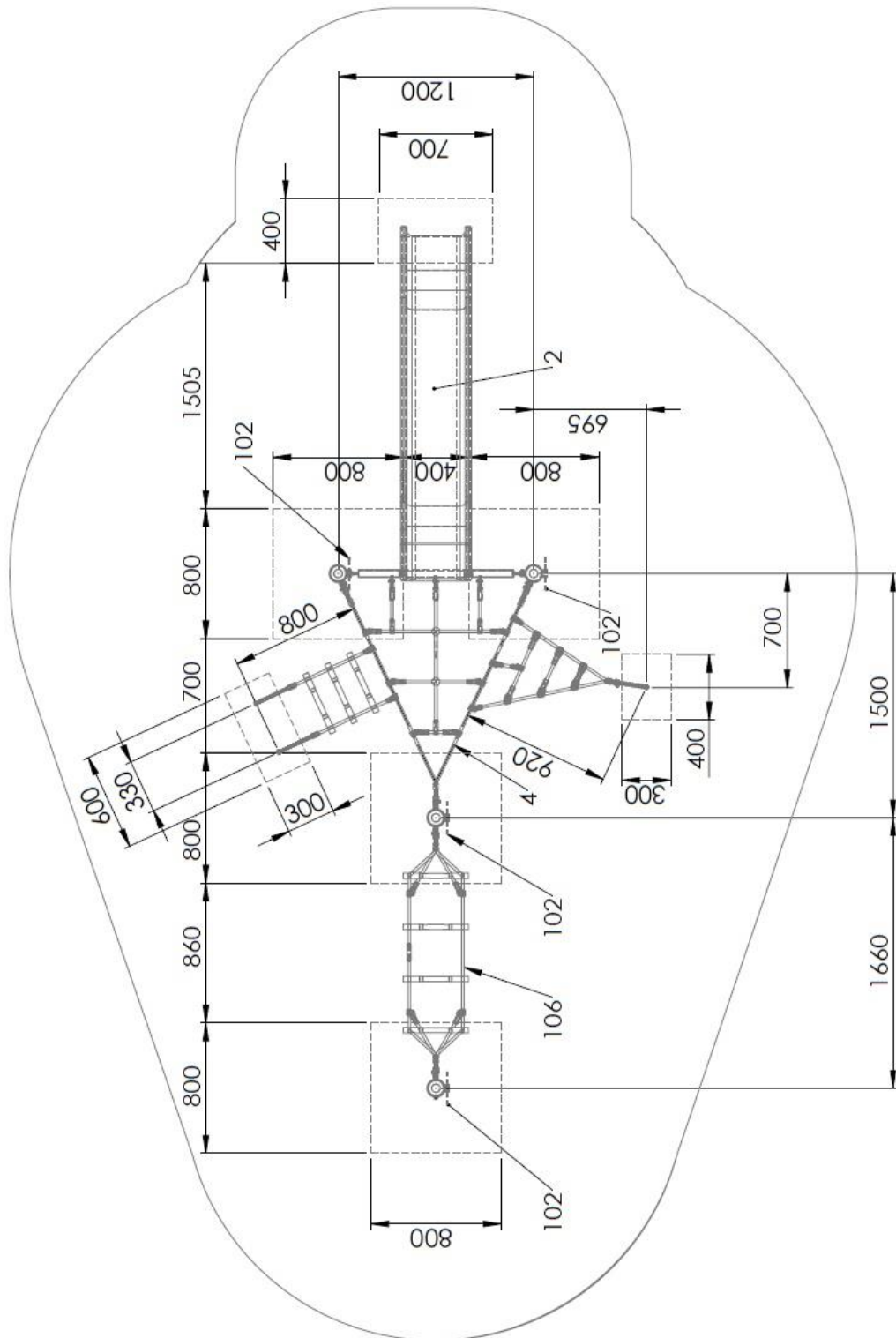
4 Erection instructions

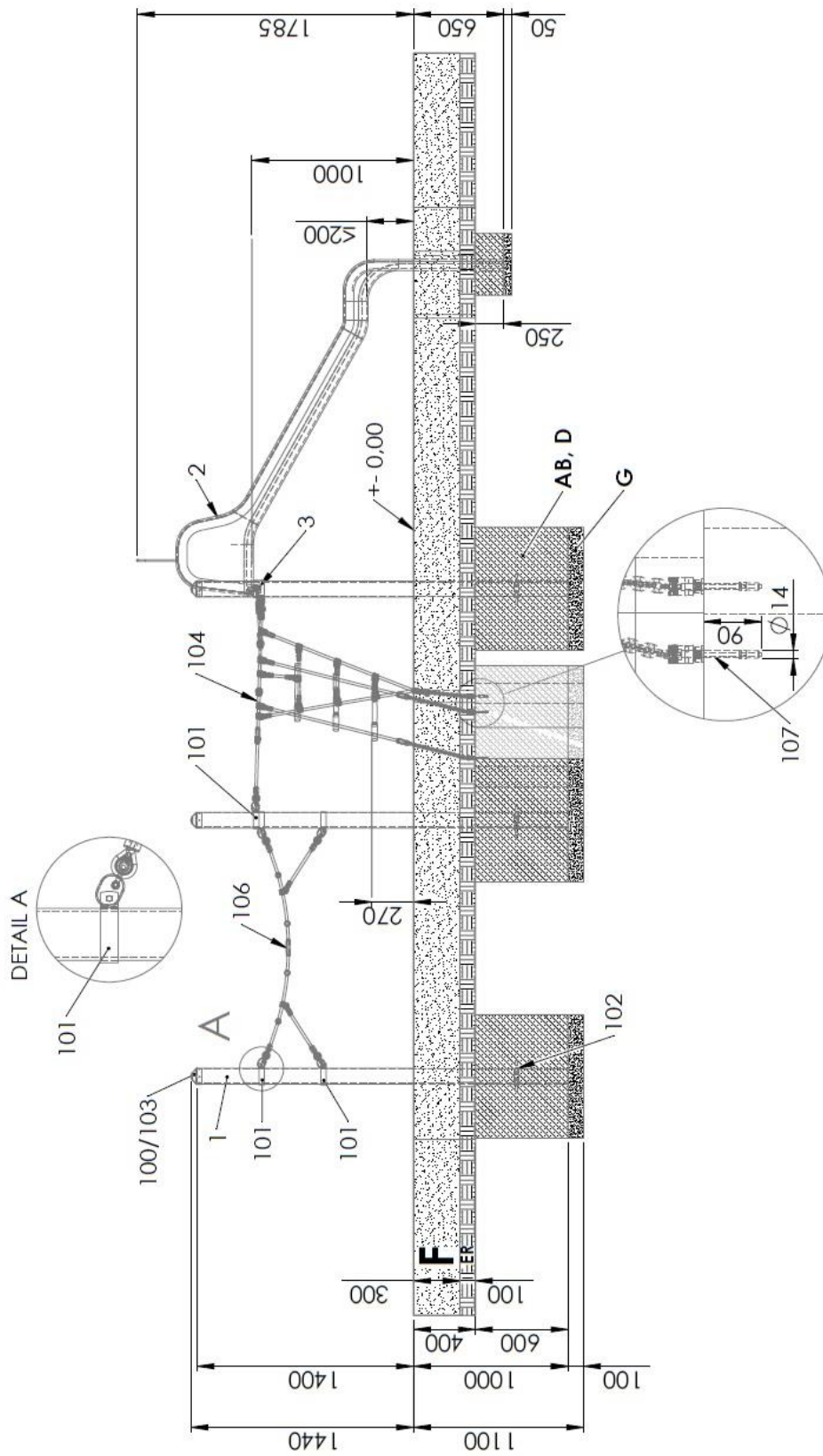


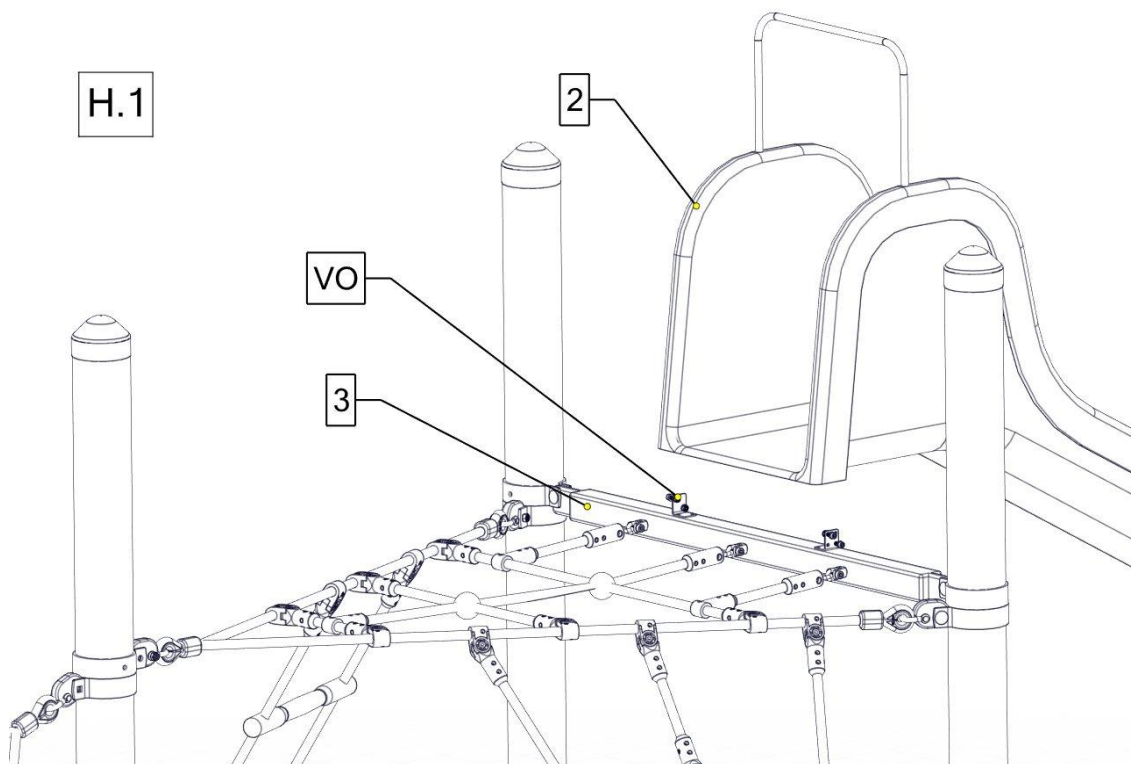
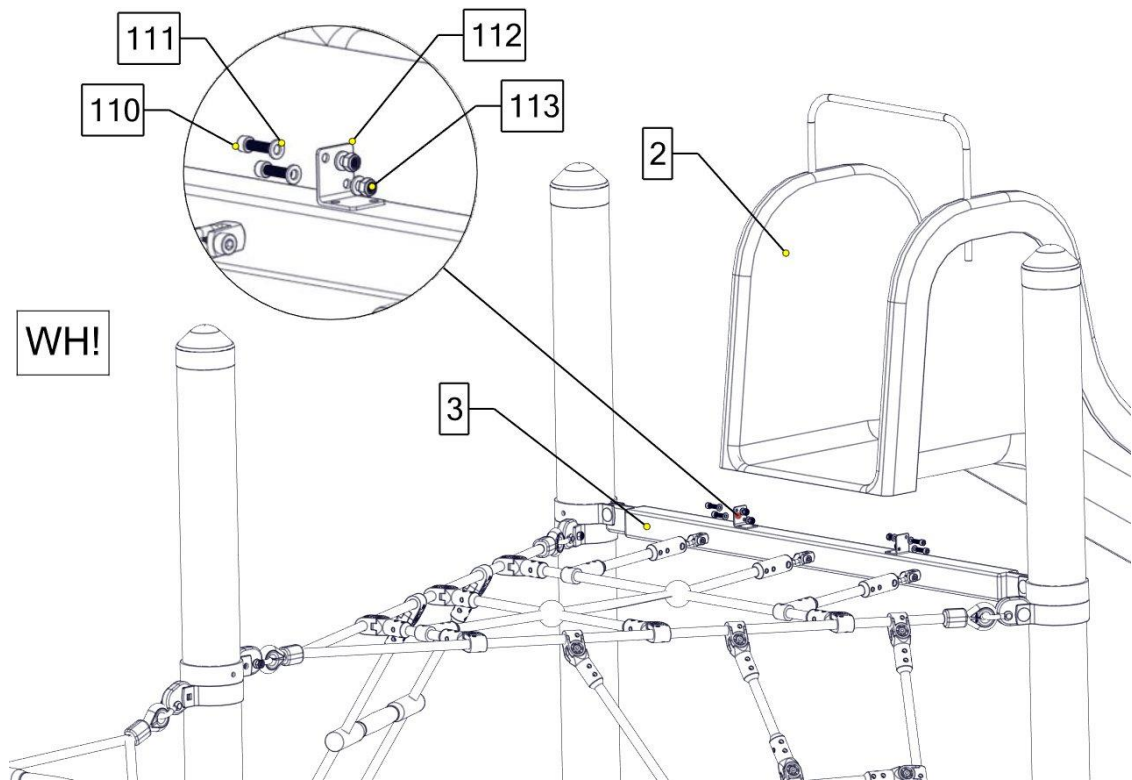
Screw locking device!

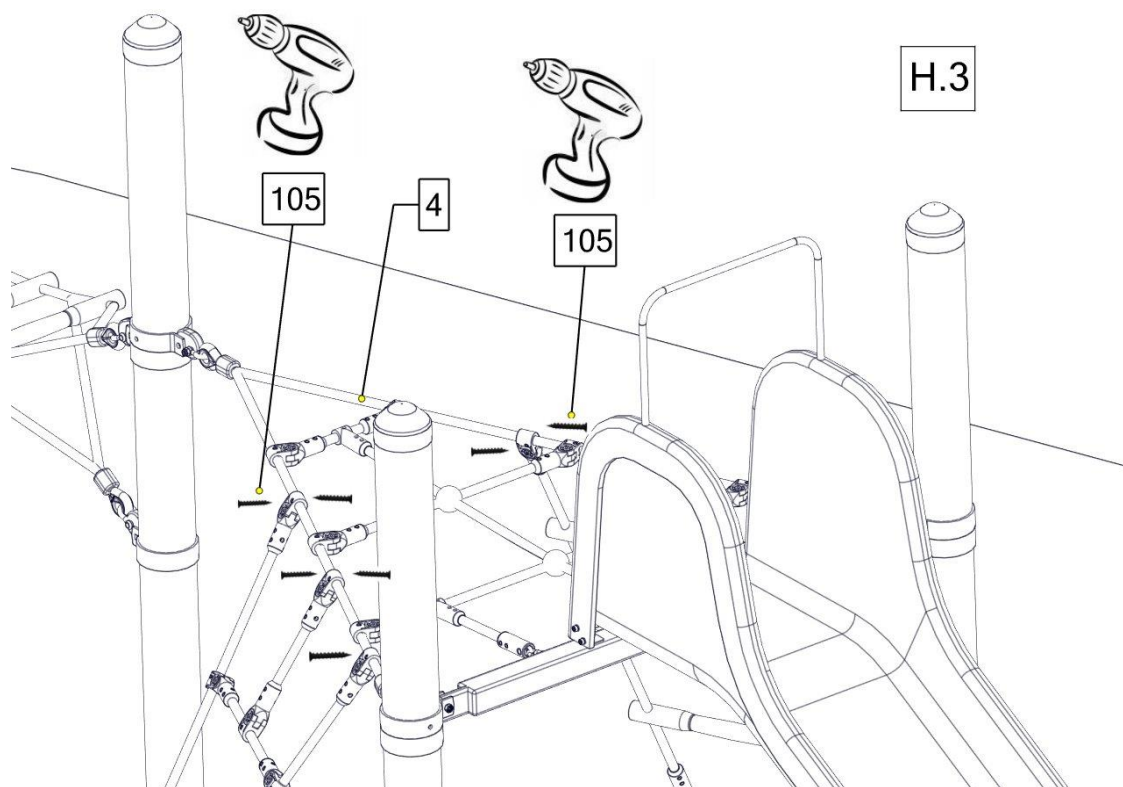
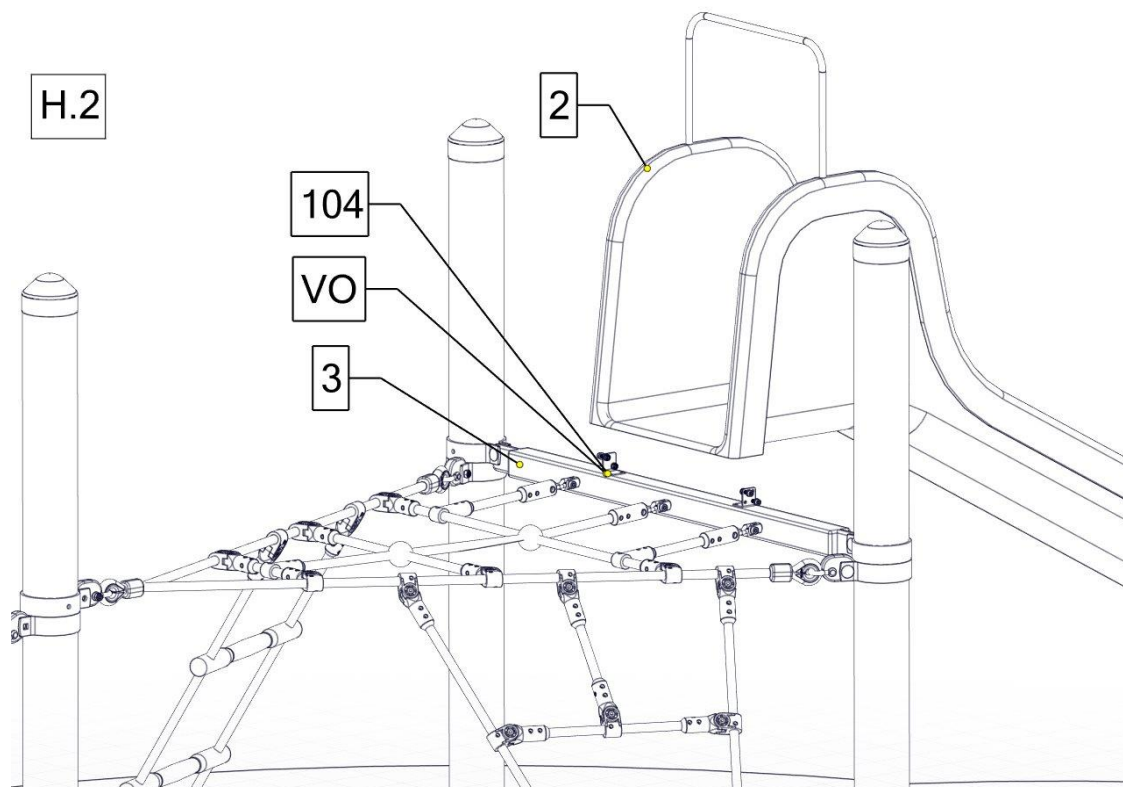


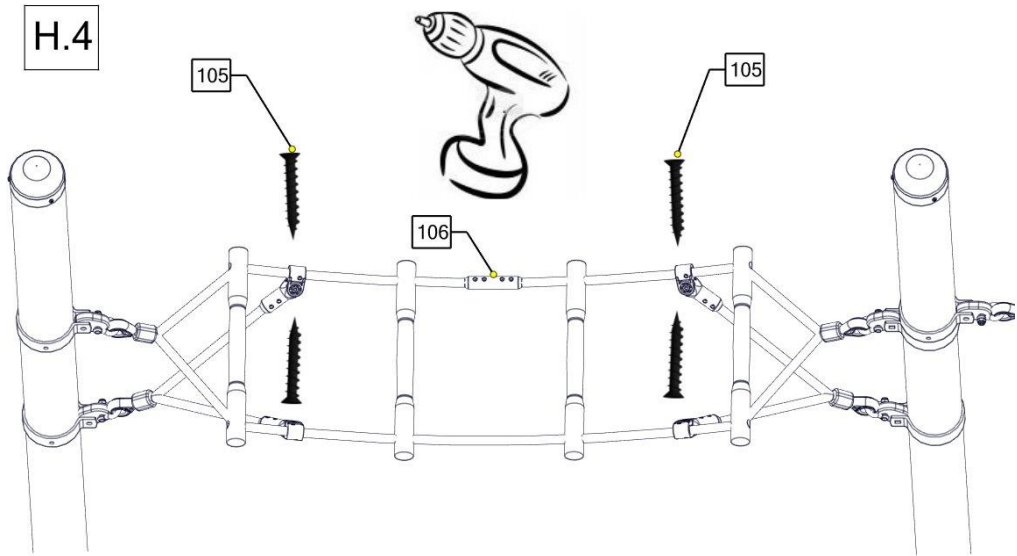
**Glue all screws, nuts and sleeves with Loctite.
(not less than 5 drops!)
(except for lock nut)**











5 Post installation checks



If the equipment has not been installed safely, you must ensure that the public is prevented from using it.

5.1 Marking filler depth

- Labelling the posts to show the depth of material provided as fall protection (i.e. loose filler).

5.2 The equipment has not been installed safely in the following cases:

- Safe equipment installation is not complete.
- The protective surface has not been installed yet.
- Appropriate maintenance work cannot guarantee operational safety.

5.3 Removal of all assembly aids

- Please make sure that all assembly aids have been removed from the playing area. The equipment must not be approved for use until this check has been made.

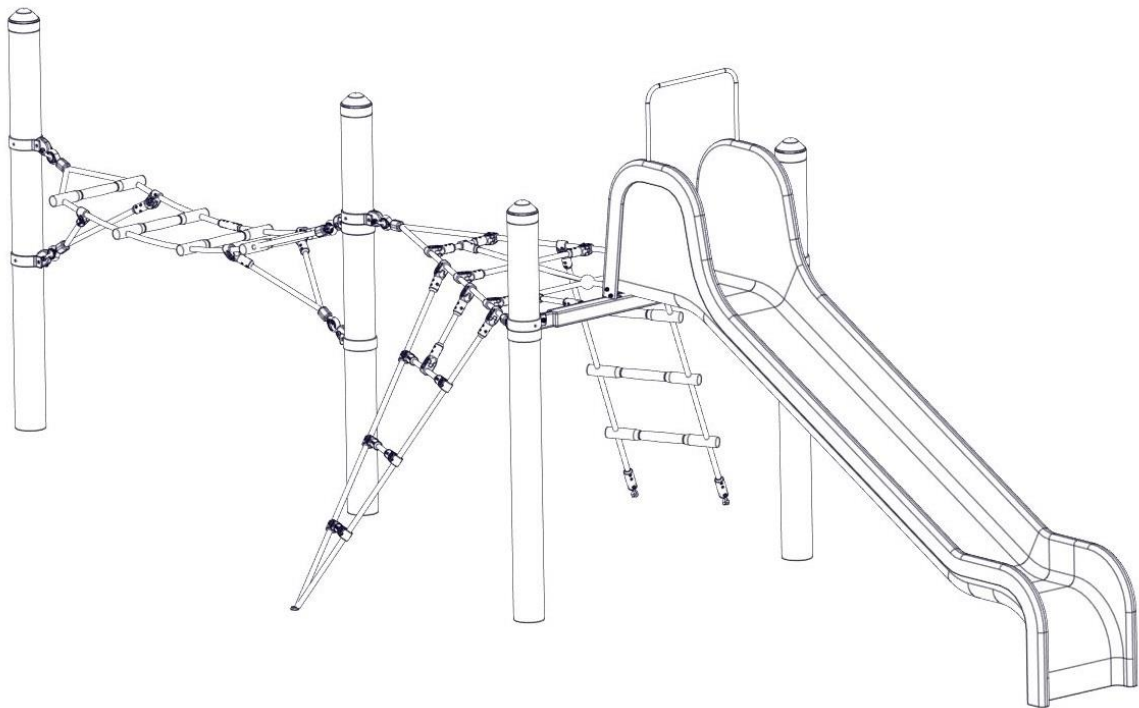
5.4 Information about inspection of the equipment before it is used for the first time

- There are no special inspection requirements to be met before the equipment is used for the first time.

5.5 Retighten bolts

- After one week of play, please retighten all bolts again. Later upon respective maintenance.

B Maintenance instruction
Gnome Forest “Rabenscheid”
Art. 4591-20
(Version: Steel posts, ø 102 mm to be set into concrete)



Revision history

Revision 0 – 2005-02-15

The first allowed version

Assembly instruction

Revision 12 – 2022-06-07

jetzt mit Kettenadapter FH

Alle Rechte vorbehalten

© Copyright 2004 Huck Seiltechnik GmbH

6 Introduction Maintenance

6.1 General informations

This equipment should be installed, inspected, maintained and operated in accordance with EN 1176-7 guidelines.



Please note: Providing any necessary repairs are carried out, a piece of play equipment that is inspected regularly cannot become so damaged that it is dangerous.

Any spare parts which may be required can be obtained directly from your supplier.



This equipment should only be assembled, maintained and repaired by **persons with the necessary expertise**.

A copy of the inspection record should be given to the operator, who must confirm receipt.

**This maintenance instruction is based on the standard
“EN 1176-1:2017”.**

7 General maintenance information

7.1 Maintenance intervals

Maintenance intervals are based on average use. Please note that more frequent inspections and/or maintenance are required if the play equipment is subject to intensive use.

7.2 Inspection frequency

The frequency of inspections must be based on actual use. Factors that affect frequency include vandalism, location (e.g. coastal proximity), air pollution and the age of the equipment.

7.3 Maintenance products and procedures

All nuts and bolts are hot-dip galvanised or stainless steel. One of the characteristics of stainless steel is that uncontrolled cold welding may occur when the nuts are tightened. To prevent this, it is necessary to spray the nuts and bolts with Teflon spray or another similar lubricant.

7.4 Spare parts

All spare parts must conform to the manufacturer's specifications.

7.5 Identifying spare parts

All spare parts are listed in the parts list. The parts list follows the installation requirements.

7.6 Special instructions for the disposal of individual equipment components

No special instructions are necessary for the disposal of individual equipment components.

7.7 Special measures during the break-in period

No later than 2 weeks after assembly, all screwed connections should be checked and tightened if necessary.

7.8 Drainage holes

All drainage holes should be kept clear.

7.9 Maintenance of protective surfaces

Surfaces providing fall protection must also be maintained regularly. It is particularly important to maintain the correct level of loose surface material and add more if necessary.

7.10 Faults



Faults must be repaired as soon as they are detected. If serious defects that compromise safety cannot be repaired straight away, the public must be prevented from using the equipment with immediate effect.

7.11 Loose screws



Loose screws always cause quality problems and put safety at risk. Therefore, loose screws should always be tightened and checks carried out to ensure that there are no missing screws (e.g. look out for holes you can see through).

7.12 Preventing equipment use

Use of the equipment should be prevented in the event of incomplete installation, disassembly, maintenance, repairs and faults.

7.13 Claims/liability for faults

Steel posts and footings are guaranteed if regular maintenance is carried out and recorded in writing. Our general terms and conditions apply. Maintenance first takes place after 3 years. The steel posts must be excavated as far as the concrete foundations and checked for corrosion.

Zinc paint should be applied to any corroded areas and scratches.

Check ropes for abrasion. Retreat any that are very worn.

8 Specific maintenance advice

None

9 Maintenance timetable

9.1 Special advices

9.1.1 Maintenance interval

We strongly advise you to carry out inspections and maintenance work within the specified periods as use of the equipment, the weather and malicious vandalism cause wear and tear that compromises the safety and function of the equipment.

9.1.2 Maintenance intervals in the event of intensive use

Please note that more frequent inspections and/or maintenance are required if the play equipment is subject to intensive use.

9.1.3 Faults that compromise safety



In the event of a fault that compromises safety, quick action must be taken. This may involve repairing it immediately or shutting down and dismantling the equipment.

9.1.4 Faults that compromise function



Faults that compromise function should also be repaired immediately. Such faults lower the value of the equipment to the user and encourage malicious vandalism, which may render the equipment less safe. Any damage should also be repaired immediately.

10 Monthly maintenance

- Check the spaces between the equipment and the ground (clearance and height of fall).
- Check the ground surface in the area with fall protection for hard objects and loose foundations.
- Check all connecting elements and fittings for wear and tear and tighten if necessary. Replace damaged or missing parts.
- Check that moving metal parts (joints, springs, etc.) move smoothly and are not worn. Replace if necessary. It is not necessary to lubricate joints as we only use maintenance-free metal roller bearings.
- Check all attachments such as chains, ropes, nets, etc. for damage and replace if necessary.
- Check rubber parts, sleeves, etc. for wear and tear or damage and replace if necessary.
- If necessary, remove excess padding material from the post footings due to danger of rotting.
- Check the surface of wooden parts for damage caused by the weather or external influences and mould. Repair or replace if necessary.
- Check the surface of plastic and metal parts, e.g. slides, for damage and replace if necessary.

11 Quarterly maintenance

- Detailed inspection of the operation and stability of the equipment paying particular attention to any wear and tear.
- Tighten all forms of attachment.
- Repaint and retreat surfaces.
- Maintenance of fall protection surfaces.
- Lubrication of joints.
- Check the height of the fall and top up with loose filler if necessary. If the posts are labelled, top up as far as the mark.
- Retighten all bolts



Attention

Annual Maintenance

•

12 Annual maintenance

- Ascertaining that the equipment, foundations and surfaces are safe for operation.
- In particular, the equipment should be checked for decay and corrosion. It may be necessary to dig out or excavate certain components in order to do so. Zinc paint should be applied to corroded areas and scratches.
- Stability (check posts, bracing, foundations, etc.).
- Ascertaining whether there are any changes in equipment safety as a result of repairs that have been carried out or components that have been added or replaced.



Attention

The equipment must be inspected by someone **with the necessary expertise** in strict compliance with the instructions issued by Huck Seiltechnik GmbH.

A copy of the inspection record should be given to the operator, who must confirm receipt.

13 Maintenance printout

Name of item: Gnome Forest “Rabenscheid”/ Art. No. 4591-20

Location: _____

Customer or operator: _____

(Town, Town council, Kindergarten)

| Date of inspection | Inspector | O.K. | Accessible | Barriered | Defects | Repaired by | Date |
|--------------------|-----------|------|------------|-----------|---------|-------------|------|
| | | | | | | | |
| | | | | | | | |
| | | | | | | | |
| | | | | | | | |
| | | | | | | | |
| | | | | | | | |
| | | | | | | | |
| | | | | | | | |
| | | | | | | | |
| | | | | | | | |
| | | | | | | | |
| | | | | | | | |
| | | | | | | | |
| | | | | | | | |
| | | | | | | | |
| | | | | | | | |
| | | | | | | | |
| | | | | | | | |
| | | | | | | | |

14 Hand over document



After the installation of the equipment pass the installation and maintenance documents to the operator. The operator has to receive the hand over documents. The complete filled and signed hand over document should be sent to the supplier.

Art.-No.: 4591-20

Type of item: Gnome Forest "Rabenscheid"

Serial number:

Customer or operator (Town, Town council, Kindergarten, etc.):

Competent person in charge:

Installation company (address):

Responsible assistant (assembler):

Received the complete assembly instructions, maintenance instructions and maintenance printout .

(Signature of operator) (Signature of installation company)

(Stamp)

Date: _____
