

Easy-Swing "Midi"

Art. No. 4591-50-2

Sitting area (W x H x D): 0.55 m x 0.90 m x 0.60 m




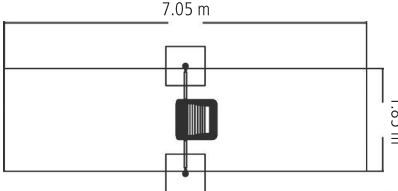








Easy-Swing "Maxi"


Art. No. 4591-50-1

Sitting area (W x H x D): 0.80 m x 1.05 m x 0.80 m



For symbol explanation see folding card at the back

	2.45 m	
	2.35 x 0.75 m	
	12.70 m ²	
	7.05 x 1.85 m	
	1.30 m	
	0.80 m ³	
	1	
		
		



Please note!

The space required for foundations (assembly space) is bigger than the minimum space requirement for the equipment.


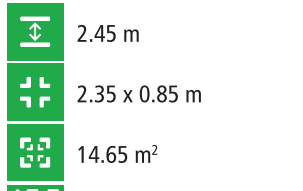








Equipment


2 Steel posts (Ø 102 mm), hot-dip galvanised, length 3.40 m, Inc. Posts and suspension bearings

Subject to Technical changes

For symbol explanation see folding card at the back

See table on page 200 for additional information.

	2.45 m	
	2.35 x 0.85 m	
	14.65 m ²	
	7.10 x 2.10 m	
	1.30 m	
	1.00 m ³	
	1	
		
		



Please note!

The space required for foundations (assembly space) is bigger than the minimum space requirement for the equipment.